

# **SYRIA**

by Iain Davis

## **A Lesson In Media Manipulation**

# **Syria**

## *A Lesson In Media Manipulation*

*by Iain Davis*

*Copyright © 2019 by Iain Davis*

*All rights reserved. This book or any portion thereof  
may not be reproduced or used in any manner whatsoever  
without the express written permission of the publisher  
except for the use of brief quotations in a book review.*

Formatted in the United Kingdom

First Formatted, 2019

[www.in-this-together.com](http://www.in-this-together.com)

## ***Chapter 1: The Official Syrian Conflict Narrative***

All of us, in the West, have been subjected to a concerted disinformation campaign with regard to the Syrian conflict. We have been misled about the causes of the conflict, duped over its nature, lied to about the combatants, their backers and sources of logistical support; we've been told a tissue of lies about the Syrian government, its level of support among the Syrian population and the popularity of the supposed 'opposition;' we've been deceived about both the U.S led coalition's and the Russian's military interventions in Syria and we've been given nothing but propaganda about events on the ground.



The evil dictator & Bashar al Assad (center) on a State visit to the UK.

Let's consider the reasons we were given for the Syrian conflict. Why don't we think about what we have been told about the evil 'regime' of President Bashar al Assad and his dark overlords, the Russians? How do we get our information? Who is giving it to us and what is their possible agenda? Let's look at the evidence to substantiate those claims in the hope of understanding more about the cauldron of conflict that could still reignite.

In a nutshell this is the official story the MSM have given us.

In March 2011, as part of the Arab Spring uprisings, the [Syrian Government opened fire](#) on innocent, unarmed protestors in the southern town of Deraa. Three protestors were killed. This caused an intensification of the protests which developed into increasingly violent clashes between the people of Syria and the violent dictator determined to crush them. By July 2011, hundreds of thousands of protestors had started a [wave of rebellion](#) across Syria. As a result of 'regime' attacks the oppressed people were forced to take up arms to defend themselves.

The violence rapidly escalated and U.S. coalition backed 'rebel brigades' were formed to defend the country, and its people, from an increasingly tyrannical crackdown by the Assad 'regime.' [Syria descended into a civil war](#). This rapidly turned into a sectarian war between the Sunni majority and Assad's Shi'ah, Alawite 'sect.' The situation was further destabilised by the entry of ISIS into the conflict, who were determined to exploit the violence to create their caliphate.

By 2015 [U.N estimates](#) were that quarter of a million Syrians had been killed in the 'civil war.' The 'civil war' worsened with all sides accused of committing war crimes. In particular, it was the Assad regime's use of barrel bombs and [chemical weapons](#) against civilian populations, with the support of the Russians, that horrified the rest of the world.



The desperate flee the conflict.

Millions fled the conflict, overwhelming countries like Turkey, Lebanon and Jordan. This created destabilising political divisions in these countries, as they struggled to cope with the influx of a new population. Hundreds of thousands sought [refuge in Europe](#). Many suspected that among the desperate, fleeing war, were terrorists and economic migrants seeking to take advantage of the chaos. The social and political divisions, created by the crisis, worsened as terrorists attacks carried out by Islamist extremists struck Europe's major cities.

It soon emerged the secularists within the Syrian opposition forces had lost out to the Islamists. ISIS capitalised upon the disunity, declaring its caliphate in June 2014. They were engaged in a 'war within a war' against the al Qaeda affiliated Nusra Front, as well as government and Kurdish forces. Alarmed by the spread of ISIS and the atrocities it committed, the U.S. led coalition were compelled to launch [air strikes](#) to 'degrade and ultimately destroy' ISIS. Though great care was taken, by the Western coalition, not to 'assist' the Assad 'regime' and avoid civilian casualties. This is because we are the goodies.

Russia also launched air strikes against the ‘terrorists’. However, they mainly bombed the opposition forces and civilians trapped in besieged cities like Aleppo. The Russians did this because they supported Assad’s ‘regime’ and were therefore baddies.

To try to resolve this mess and deliver ‘freedom and democracy’ to the Syrian people the U.N offered the [Geneva Communiqué](#) as the basis for peace talks. Unfortunately, they soon broke down because it was predicated upon a transition of power in Syria and the effective removal of the Assad ‘regime’. Russia wouldn’t support his removal and the Assad ‘regime’ refused to talk to the opposition, claiming they were terrorists. So ‘proximity talks’ were suggested, the U.N Security Council passed [resolution 2254](#), the ‘road map for peace,’ in 2015. However, the road map led nowhere. The Syrian opposition would only consider the removal of Assad; the Assad ‘regime’ and Russia would accept elections but not his automatic removal; ceasefires didn’t work because no one could control ISIS, who persistently ignored them; the opposition refused to engage in the Russian Federation’s offer to broker a deal in talks scheduled to be held in Sochi. A [diplomatic solution](#) failed to emerge.

A proxy war was underway in Syria and the people were caught in the middle of it. The ‘moderate rebels’ were mainly backed by The U.S, UK, France, Turkey, Saudi Arabia and Qatar, while the Assad ‘regime’ was backed by Russia and Iran. Allegations of Assad’s war crimes continued and the plight of the people of East Aleppo, in particular, prove what an [evil dictator](#) he is.



Missiles fired no U.N approval required.

By late 2017 Iraqi forces, with U.S. coalition support, had won significant victories against ISIS in Iraq. The Syrian, Russian and Iranian forces had all but [destroyed their brief caliphate](#) in Syria. However, pockets of resistance by the ‘moderate rebels’ in Syria remained. Especially in the eastern Ghouta suburbs of the capital Damascus. By March 2018 people like British Foreign Secretary Boris Johnson were calling for [further coalition air strikes](#) against the Assad ‘regime’ who he said threatened to continue the use of chemical weapons against the innocent Syrian people.

Then in April 2018, in the town of Douma in East Ghouta, just as the Assad ‘regime’ were poised for total victory, they [again used chemical weapons](#), targeting mainly children. In response, the world said ‘enough was enough’ and the West, led by the French and the British, threatened missile strikes against the Assad ‘regime’. [Russia threatened to retaliate](#) if the President Trump followed through with his threatening tweets. On April 14th 2018 sites in Damascus and Homs were hit by [U.S. led coalition air strikes](#).

If we unquestioningly accept the narrative we have been given, the West’s intervention in Syria (Iraq and Libya) has always been noble. Essentially it represented responsive humanitarian efforts to give the people what they were

independently calling for. Namely democracy and freedom. It's the existential battle of good against evil. The West didn't want to become embroiled in the Syrian conflict but just couldn't abandon the people of the region when they called for the coalition's help.

We are the goodies and the Syrian, Iranian and Russian governments are the baddies. ISIS were sometimes baddies but occasionally goodies, depending upon whom they were fighting on the day. Al Qaeda in the form of al Nusra and now 'Jabhat Fateh al-Sham' are consistently goodies although they used to be baddies, especially when they killed 3000 people in the U.S. So we just need to carry on supporting our governments efforts to defend us all against the horrors of terrorism and totalitarianism. Whatever they ask us to give up, whatever they require us to sacrifice, we can rest assured it is all in a good cause.

Unfortunately, nearly everything we have been told about the Syrian conflict is either a gross misrepresentation of the truth or a downright lie. We will explore how we have been misled and look at some examples which reveal the staggering depth of the deception. Before we accept the simplistic narrative the western MSM would have us believe, let's take a critical look at the evidence.

We have looked at the official Western media narrative of the Syrian conflict. If we accepted this, then the U.S led coalition's intervention can essentially be seen as a response to the circumstances of the Syrian conflict, all of which were beyond the control of the Western coalition. However, the evidence suggests this is very far from the truth. What it shows is that the recent attempt by the U.S led coalition to overthrow the Syrian Government of Bashar al Assad was yet another in a long line of foreign interventions within Syria. What's more, the most recent attempt by the West appears to be part a concerted effort to destabilise the Middle East in support of both the geopolitical objectives of regional allies, most notably Israel, Saudi Arabia and Qatar, and the pursuit of global corporate profit.





General Wesley Clarke.

Speaking in 2007, U.S. Army [General Wesley Clark](#) the former NATO Supreme Allied Commander in Europe (1997 to 2000) [recounted a conversation](#) he had with one of his former comrades in the Pentagon, shortly after the U.S. invasion of Afghanistan in 2001:

*“About ten days after 9/11 I went through to the Pentagon. I saw Secretary Rumsfeld and Deputy Secretary Wolfowitz. I went downstairs just to say hello to some of the people on the joint staff who used to work for me.[and] One of the generals called me in and he said ‘Sir you’ve got to come in and talk to me for a second’ and I said no we can’t, we’re too busy and he said ‘no, no,’ he said ‘we’ve made the decision to go to war with Iraq.’*

*This was on or about the 20th of September [2001]. I said, we’re going to war with Iraq? Why? He said ‘I don’t know.’ He said ‘I guess they don’t know what else to do.’ So I said well, did they find some information connecting Saddam with al Qaeda? He said, ‘no, no there’s nothing new that way. They’ve just made the decision to go to war with Iraq.’ He said ‘I guess it’s like we don’t know what to do about terrorists but we’ve got a good military that can take down governments.’ [and] He said. ‘I guess if the only tool you’ve got is a hammer every problem has to look like a nail.’*

*So I came back to see him a few weeks later, and by that time we were bombing in Afghanistan, and I said to him are we still going to war with Iraq? [and] He said, 'Oh it's worse than that,' he said. He reached over his desk and he picked up a piece of paper and he said, 'I just got this down from upstairs,' meaning the Secretary of Defence' office 'today' and he said, 'This is a memo that describes how we're going to take out 7 countries in 5 years. Starting with Iraq and then Syria, Lebanon, Libya, Somalia, Sudan and finishing off Iran.'"*

Then there are the words of former French Foreign Minister, [Roland Dumas](#). When asked about the Syrian war [he said this](#):

*"I went to England almost two years before the start of hostilities in Syria. I was there by chance on another business, not at all for Syria. I met British officials, some of whom are friends of mine. They confessed, while trying to persuade me, that preparations for something were underway in Syria. This was in England, not in the U.S. Britain was preparing gunmen to invade Syria.*

*They even asked me, under the pretence that I was a former Foreign Minister, whether I wanted to participate in this. Of course I declined. I am French. I am not interested.*

*I just need to say this operation goes way back. It was prepared, conceived and planned.....Very simply for the purpose of overthrowing the Syrian government."*

These 'crazy conspiracy theorists' suggest the possibility that our intervention in Syria wasn't in response to the violence. Far from a humanitarian rescue mission, it was planned in advance. Is there any evidence the main coalition protagonists, the U.S, UK, France, Turkey, Saudi Arabia and Qatar, were looking for a casus belli?

## Chapter 2: Syrian Civil War?

Another term consistently fed to us by the Western MSM has been ‘the Syrian civil war.’ A [civil war can be defined](#) as an intrastate war between opposing groups of citizens of the same country. That has never been true of the situation inside Syria. There were a number of protests during the ‘Arab Spring’ but these were nowhere near as widespread or as popular as we were led to believe. Syrian support for the armed struggle evaporated almost as soon as it began. Just like ‘regime’ the use of ‘civil war’ is just more disinformation. More ‘fake news.’



Daraa on the Syrian – Jordanian border 2015

As we discussed in [Part 2](#), Syria has a government not a ‘regime,’ similarly use of the term ‘civil war’ by the Western MSM was (and is) intended to mislead the public about the essential nature of the Syrian conflict. Syria has suffered a bloody insurgency by various groups of predominantly foreign Islamist terrorists who were [armed, funded and equipped by the U.S. led coalition](#) and its Gulf

allies. Pretty much everything we have been told about the Syrian war comes from a well oiled, centrally controlled, corporate owned [propaganda](#) machine.

In the West we used to deride the Soviet news agencies and expressed our empathy for the people living in [Warsaw Pact](#) countries who received nothing but government propaganda. However, unlike most of us, nearly every Soviet citizen knew the information they received was controlled by the state. Consequently, they treated it with the critical scepticism it deserved. The amazing achievement of the Western MSM propagandists is that they have convinced a duped population that they have a 'free press' who can be trusted to provide objective 'news,' independent of the state or powerful corporate interests.

As the spurious drivel we have been told about the Syrian war demonstrates, the Western mainstream media is largely an extension of the state. Unless something changes, if you want independent journalism, you will have to look towards the so called 'alternative media,' while it still exists. However, most importantly, we need to develop our critical thinking skills and stop simply believing everything we are told, no matter who is doing the telling.

We have looked at the official narrative we have been given about the Syrian conflict and have also explored the political reality in Syria, leading up to the conflict. We have also examined the antecedents for the Syrian conflict and considered how we have been widely misled about the nature of the conflict itself. In each case we can identify consistent U.S led coalition propaganda unquestioningly disseminated by the western mainstream media (MSM.) When we look at the evidence it is clear that virtually nothing we have been told about the Syrian conflict is true.

So when the British Foreign Secretary Boris Johnson spoke about Britain becoming a '[soft-power superpower](#),' given the level of deception already foisted

upon western electorates, it is important to understand what he means by the term 'soft-power.' Soft-power refers to the process of projecting western democratic values through influence, ideas and the power of persuasion. This begs the fundamental question what right we have to project our values globally. What makes the likes of Johnson so certain that our 'way of life' is welcome among civilisations whose recorded social history predates our own by thousands of years? Does 'projecting western values' come with any strings attached for the target nation? Who is it designed to benefit?

It seems odd that so called soft-power, thus far, seems to have been exported to countries following the use of very hard, military power. We have become accustomed to the [balkanisation of nation states](#) by the NATO aligned countries. Despite the rhetoric about exporting our democratic values, what we have seen in the former Yugoslavia, Afghanistan, Iraq and elsewhere is economic, strategic and resource exploitation by global corporations in the wake of what appears to be [neocolonialism](#). Soft-power, to date, seems to have been little more than [public relations](#) designed to sell the exploited populations the idea that rule by western diktat, under the puppet governments favoured by the West, is somehow good for them.

There continues to be a concerted 'soft-power' campaign waged by the broad nexus of NATO powers in the Middle East. Key to this effort in Syria was, and is, the use of so called Non Governmental Organisations (NGO's.) These allegedly independent charities, particularly in regard to the Syrian conflict, have been widely used as sources of information from within war zones. As 'charities' they have been able to access territory off limits to western journalists. Typically in Syria this has meant they they have been able to work within opposition held territory, which actually means [terrorist held territory](#). We might perhaps wonder why [child beheading scum](#) like Nour al-din al-zinki, Jabhat Fateh al-Sham (al Qaeda in Syria) and ISIS would be so willing to share their territory and resources with these charities.



### Human Right Watch: NGO's with questionable agendas?

Whatever humanitarian role NGO's may play, in the case of Syria, it is obvious they also provide intelligence from within terrorist controlled areas. If we consider who is [backing the terrorists](#) it is clear that these NGO's have, to a varying degree, either been infiltrated by, or are merely extensions of, western governments and global corporations. When we also look at the multinationals who fund many of these groups, and the direct funding they often receive from government, the notion of their supposed independence is frequently risible. Perhaps most notable among these alleged NGO's are [the White Helmets](#). However, they are by no means the only NGO's who have provided the 'evidence' to support the military intervention in Syria. Their role in supporting military reprisals against the Syrian government for [highly dubious allegations of chemical weapons](#) attacks is evident.

The idea of using NGO's to promote so called 'soft power' isn't new. Speaking in 2004 former U.S. Assistant Secretary of Defence Joseph Nye said:

*“the U.S. government can better maximize the effectiveness of soft power instruments and efforts through increased partnerships with NGOs. By providing humanitarian and development assistance in areas typically inaccessible to government agencies, NGOs are often able to access potential extremist areas*

*before the government can establish or strengthen diplomatic, developmental or military presence, including intelligence.”*

If we accept the notional image of NGO's, fed to us by the MSM, as independent charities, then we need to disregard the evidence which shows their relationship with state and corporate sponsors is far more complex. The MSM has relied extensively upon these highly questionable NGO information sources to 'evidence' its propaganda. For example, numerous reports both in the print media and on the news networks quote the '[Syrian Observatory for Human Rights](#)' (SOHR.) By referencing supposed 'humanitarian' sources, the MSM's intention is to give the impression the information comes from independent welfare organisations whose only interest is the plight of the Syrian people. The suggestion is that they are unbiased, firsthand accounts from within a war torn country. The [BBC described the SOHR](#) as follows:

*“The Syrian Observatory for Human Rights has emerged as a prominent campaign group amid the country’s revolt against President Bashar al-Assad, releasing daily casualty figures for the international media.....The group of mainly professionals, many of them lawyers, monitored changes to the law and the judicial system, and worked to highlight cases of human rights abuses to international organisations such as Amnesty International.....It now has more than 200 members and affiliates, covering every province in Syria, with some volunteers aggregating and publicising information from the UK.....The group says it is impartial in its reporting, recording the deaths of soldiers as well as civilians and protesters.”*

The BBC goes on to add.

*“As foreign journalists are unable to operate freely in Syria to verify reports themselves, the media are increasingly reliant on such information.”*



The SOHR provides its unbiased intelligence reports to AFP, AP, CNN, MSNBC, Reuters, CBS, Channel Four and the BBC among many others, and is extensively quoted in most of the major news reports about Syria by the MSM.



### The Syrian Observatory on Human Rights

The Syrian Observatory on Human Rights is Rami Abdulrahman, a former Syrian ‘activist’ who served three terms in Syrian prisons before fleeing to the UK in 2000 to avoid a fourth. He operates the SOHR out of his flat in Coventry. Mr Abdulrahman openly admits he is a member of the ‘Syrian opposition.’ The SOHR are certainly not unbiased, and [Mr Abdulrahman](#) hasn’t set foot in Syria for 18 years. His one man band is funded with the help of a European Union grant and the support of another unnamed ‘European country.’ He is known to have met with British politician William Hague on a number of occasions, so it is likely the country he refuses to name is Britain, a leading member of the coalition seeking regime change in Syria. There is nothing independent about the SOHR, despite claims otherwise.



Committed anti Assad campaigner Mr Abdulrahman, who can observe nothing of the insurgency taking place 3000 miles away from his home, is a primary source of information for Western ‘journalists’ as they bring you ‘the truth’ about the Syrian conflict. His sources are frequently unknown (anonymised for their protection,) though he claims they are all ‘activists,’ like himself, and he collates much of his ‘information’ by watching YouTube videos.

Similarly, the American based [Human Rights Watch](#) are another NGO who provide information for the Western media to report in regard to the Syrian conflict. Following the outbreak of [violence in Deraa](#), they released their objective investigation into events on the ground entitled [‘We’ve Never Seen Such Horror: Crimes Against Humanity in Daraa.’](#) Sarah Leah Whitson, the Middle East director at Human Rights Watch said:

*“For more than two months now, Syrian security forces have been killing and torturing their own people with complete impunity. They need to stop – and if they don’t, it is the Security Council’s responsibility to make sure that the people responsible face justice.”*

Firstly, as far as anyone is aware, Human Rights Watch have absolutely no political legitimacy whatsoever, so one wonders why their Middle East director thought she could tell the U.N what they should do. Secondly their horror story offered next to no evidence to substantiate any of its allegations. What it offered were uncorroborated eyewitness reports, based upon unseen videos, while studiously ignoring all the physical evidence. They made no reference to the [arms cache found](#) in the al Omari Mosque nor the dead Syrian police officers who had been shot. An objective investigation would have accounted for this information, all of which was in the public domain, if only to discredit it with counter evidence. By ignoring it their report can be seen for what it is, propaganda. They offered no evidence to substantiate their claim that the rooftop snipers were Syrian special forces, or that it was the Syrian security forces who had occupied defensive

positions in the mosques. When Major General Anwar Al Eshki confirmed [Saudi arming of the Islamist extremists in Deraa](#) Human Rights Watch offered no further comment.

Like the SOHR, Human Rights Watch is sold to the Western public as an independent, non-governmental, non-political charity that fights for human rights across the globe. Founded in 1978 by Robert L. Bernstein [Member of the Council on Foreign Relations and frequent Bilderberg meeting attendee] it recently received significant financial backing from [George Soros](#) [Member of the Council on Foreign Relations and frequent Bilderberg meeting attendee]. Human Rights Watch is closely associated with the Council on Foreign Relations and is funded by the same global corporations behind the National Endowment for Democracy (NED) who set up the protestors during the Arab Spring.

However, they aren't the only notable human rights group the [NED fund](#). Amnesty International and the United Nations High Commissioner for Human Rights (UNHCR) are also among those 'independent' human rights organisations financially supported by [weapons manufacturers](#) like Raytheon, Lockheed Martin and Northrop Grumman.

In 2017, [Amnesty International](#) told the world about the horrors perpetrated by the 'Assad regime' in its prisons. In particular Saydnaya prison was singled out as the worst. It stated the evil dictatorship had "*quietly and methodically organized the killing of thousands of people in their custody*" and that, "*murder, torture, enforced disappearance and extermination*" were part of "*an attack against the civilian population.*" These horror stories emerged just as the Syrian Government had liberated Aleppo from terrorist occupation and while the Astana peace talks were underway, where Syria, Russia, Turkey and Iran were trying to establish clear de-escalation zones within Syria. Amnesty International's report appeared to be an attempt to scupper these efforts.



Saydnaya Prison: Excellent graphics.

The slight drawback with Amnesty's shocking revelations about the barbarity inside Saydnaya were that they didn't have [any real evidence](#) and decided to make it up instead. They openly admitted that they had no access to the prison, no photographs, video or audio evidence. What they did have were uncorroborated prisoner testimony from detainees who claimed to have been incarcerated there, though none of them offered any evidence to prove they had. So a couple of questions arise (which Amnesty didn't answer.) Were these prisoners Islamist terrorists or 'activists' and if it was a death camp how come they made it out alive? The interviews weren't even conducted in Syria but rather Turkey, Lebanon, Jordan, somewhere in Europe or the USA, mainly over the phone. The report was full of contradictions, offered no physical evidence at all and amounted to the hearsay of 31 unknown individuals and some imaginative guesswork.

Amnesty apparently accepted whatever these people told them, regardless of any political or theological agenda they may have had or the lack of corroborating evidence. They then went on to boast about how the 'evidence' had been created by a London University 3D computer modelling department. Using what Amnesty International described as 'cutting edge digital technology' the team at 'Forensic

Architecture' had relied upon some grainy satellite imagery to create what it 'imagined' the inside of the Saydnaya would look and sound like.

That's it! Some uncorroborated stories and a cartoon they'd drawn were enough for the international human rights organisation Amnesty International to accuse the sovereign government of Syria of 'crimes against humanity.' The almost complete [lack of any any verifiable evidence](#) was practically admitted by Amnesty International, within the pages of its own report, when it conceded it had no access at all to Syrian Government territory.

This does not constitute a 'fact.' It barely warrants cause for suspicion. It's just a story that lacks substantiation, a bit like 'Wind in the Willows.' However, the MSM propaganda machine doesn't require any accuracy or evidence. Amnesty International, we are told, are a globally respected NGO so their report became the 'evidence' for the media deluge that followed. The fact the report was based upon virtually nothing at all didn't matter. Amnesty International published it, so it must be true.

For example, the Guardian published an article called **'Assad's Slaughterhouse Defies Description but it's Horrifyingly Real.'** CNN stated **'13,000 Hanged in Secret at Syrian Prison, Amnesty Say'** and the BBC **'Syria's Saydnaya Prison Hid Killings, Says U.S.'** Call it 'fake news,' call it fiction, the fact is it was propaganda designed to ensure you continued to support the [balkanisation of Syria](#) by an Islamist terrorist insurgency and air strikes carried out in your name.



Boris Johnson promising to fund propaganda organisation the White Helmets.

Whatever else NATO aligned governments mean by the term 'soft-power' it is clear that it also forms an essential element of intelligence gathering and is used to disseminate propaganda aimed at destabilising foreign governments, targeted for 'regime change,' and to provide spurious propaganda narratives to the western populace via the controlled MSM. The extent to which the various NGO's are complicit in these endeavours seems to vary. Whereas the [White Helmets](#) appear to be nothing more than a western government construct, designed to promote the Islamist extremist agenda, the same cannot be said for Amnesty International or the UNHCR. Both have carried out valuable humanitarian work and the vast majority of people who work for them have nothing but the best of intentions. However, at a senior level, these organisations can and are co-opted by powerful Deep State 'actors' who can apparently use them for their own purposes, whenever they choose.

The exploitation of NGO's is a cruel deception played upon charity activists who often put themselves at great risk to provide, what they genuinely believe to be, much needed aid and humanitarian assistance. It is also a betrayal of the domestic supporters of these organisations who devote their time and effort to raise funds, organise events and promote the 'charities' they believe in.

This inherent exploitation of people's good will is another example of the duplicity of establishment figures like of Boris Johnson when they talk about so called soft-power. Much like the narrative we have been given about the Syrian conflict itself, nothing is as it seems. Soft-power is merely a deceptive term intended to cover up the reality that NGO's, or elements within them, are often working as intelligence assets, propagandists and agent-provocateurs within countries targeted for regime change. The same degree of duplicity runs throughout the western mainstream narrative of the Syrian conflict.

These organisations are used to disseminate disinformation because you will be more likely to unquestioningly accept it. You have been 'educated' to respect 'charities' so why would you ever question their motives? How many of us can honestly say we have ever questioned who these NGO's really are? The concept of 'charity' and 'humanitarian assistance' has become a dogmatic belief which underpins our concept of the 'fair society' we like to think we live in. They are an example of our 'better nature' and we are predisposed to believe them merely by virtue of their charitable status. We don't want to question them, because doing so undermines our accepted notion of the fundamental 'goodness' of our open and free democracies. Sadly, by shying away from asking uncomfortable questions, we are complicit in the perpetuation of wars of exploitation.

### Chapter 3: White Helmets A Lesson In Soft Power

Much has been written about the alleged independent Non Governmental Organisation, the White Helmets. They came to the fore during the Syrian conflict.

Many people, such as Vanessa Beeley, Eva Bartlett, Pierce Robinson and others, have exposed them as the apparent propagandists wing of an [Islamist extremist operation](#) run by the western coalition of NATO powers, most notably the U.S and the UK. It is not my intention to explore every facet of the deception here, but rather to give a broad overview of the mountain of evidence which proves they are not the NGO we have been given to believe. Inevitably some will say I should have focused upon this piece of evidence or that, but there is so much to choose from it is difficult to know where to start.



Vanessa Beeley

Few of us can have failed to notice the heart-rending imagery, human tragedy stories and powerful documentaries that emanate from, and revolve around, this venerated humanitarian organisation. While they exclusively operate inside

territory controlled by [terrorist, paramilitary groups](#) like Jabhat al Nusra, Ahrar al-Sham, Nour al-Din al-Zenki Movement, ISIS and others, they claim they have absolutely nothing to do with any of them.

Just out of interest, how do you think any other volunteer rescue service would get on if it turned up in ISIS or al Qaeda controlled territory and told them it needed their resources and support to save the local population? That it intended to set up command and control centers, organise local volunteers and bring in supplies from abroad. Do you think ISIS or al Nusra, the [child beheading](#), Islamist terrorists, would be happy to let them just get on with it?

I ask because that is precisely what you have been told to believe about the White Helmets. They even [won an Oscar](#). Though sadly their leader, Raed Saleh, couldn't tread the red carpet because he was barred from entering and deported from the U.S. in 2016. When journalists asked U.S. State Department spokesman Mark Toner why Raed Saleh had been denied a visa he said:

*".....any individual in any group suspected of ties or relations with extremist groups, or that we have believed to be a security threat to the United States, we would act accordingly."*





Raed Saleh: White Helmet leader with links to terrorism.

So it appears Mr Saleh was considered too high of a risk to even set foot in the U.S. but the organisation he leads is beyond reproach. True heroes of the Syrian ‘[civil war](#).’ They have been sold to the public as the face of the Syrian peoples’ struggle against a brutal dictatorship. In reality the White Helmets are the epitome of the [Syrian conflict deception](#).

On their [official website](#) the White Helmets describe themselves as as ‘unarmed and neutral’ and state they are:

*“Bakers, tailors, engineers, pharmacists, painters, carpenters, students and many more, the White Helmets are volunteers from all walks of life.....In a place where public services no longer function these unarmed volunteers risk their lives to help anyone in need – pledging commitment to the principles of “Humanity, Solidarity, Impartiality” as outlined by the International Civil Defence Organisation.”*

Firstly there is plenty of evidence that the White Helmets are routinely armed. There are many images of White Helmets touting automatic weapons. Secondly there is no evidence at all that they have helped anyone ‘in need.’ Their official name, The Syrian Civil Defence, is utterly misleading. The real [Syrian Civil Defence](#), who wear red helmets, will respond to an emergency (113) call if you ever need them. They have existed since 1953 and are fully registered members of the International Civil Defence Organisation. Despite pledging themselves to the principles of that organisation, and insinuating their membership on their website, the White Helmets (unlike the real Syrian Civil Defence) [are not members](#).

If you ever need to call the White Helmets (who don’t have an emergency number, so luckily you can’t) you would be deep inside terrorist held territory. Drawing attention to yourself wouldn’t be a very good idea, no matter how dire your predicament. Things can always get worse.

Secondly using the word ‘Syrian’ in their name suggests they were created in Syria, they weren’t. The White Helmets were created by British ‘former’ military intelligence officer [James le Mesurier](#) in Turkey. He has also worked for NATO in Bosnia, Kosovo and Iraq among other countries where Islamist extremists have been used to destabilise governments. Mr le Mesurier set up the group in 2013, he recounted the initial meetings which led to the creation of the White Helmets:

*“In early 2013 I had a meeting with nine local leaders that had come out from northern Aleppo, and they painted this picture of the frequency and the intensity of the bombing that was taking place. And I was delivering programs on behalf of the US and UK governments, and we were able to offer them some good governance training, some democratizing training, and a handful of sat phones. Several days later I was very fortunate to meet the head of Turkey’s earthquake response group, a group of people called “AKUT.” And the conversation that we had was along the lines of: If they can rescue people from a building that has been flattened as a*

*result of an earthquake, how possible is it to rescue people from a building that's been collapsed as a result of a bomb?"*



White Helmet humanitarians celebrating with al Qaeda.

His account of their formation suggested it all happened as a result serendipitous meeting in Turkey. We are asked to believe their sudden, well-financed, emergence in 2013 had nothing to do with the increasing number of significant defeats being inflicted upon the insurgency at the time. Fortunately, for the struggling Islamist extremists, [ISIS](#) and the White Helmets were on their way.

James le Mesurier officially left the British Army in 2000. He joined the United Nations and served as joint chief of the U.N advisory unit on 'Security and Justice,' going on to work in Bosnia and Kosovo. In 2005, he became Vice President for 'Special Projects' with the private military contractor the '[Olive Group](#).' The Olive Group are a mercenary organisation largely staffed by 'ex' British special forces soldiers from the SAS. They were among the first mercenary forces deployed in Iraq. They sent 38 'ex' SAS soldiers into the country only two days after completion of the initial U.S. led deployment. In 2015, Olive merged

with Constellis, a mercenary umbrella organisation who list Academi (Blackwater) among their numerous contractors.

Incidentally, '[sheep dipping](#)' is the military intelligence term for de-listing military personnel and providing them with 'alternative identities.' If they are subsequently caught operating as civilian contractors, possibly for private mercenary organisations for instance, it provides 'plausible deniability' for intelligence agencies and governments who no longer have anything to do with them.....Honest!

Le Mesurier left Olive in 2008 and joined another private 'security and counter terrorism' contractor, Good Harbour International (GHI.) GHI's chairman is the former Pentagon and U.S. State Department security advisor, the so called 'terrorism czar,' Richard A. Clarke. We are told the White Helmet's are a 'not-for-profit' [humanitarian NGO](#) who are completely independent of government, non-political and entirely peaceful. This is risible disinformation which simply denies the existence of the huge amount of evidence, much of which comes from the White Helmets themselves, that proves otherwise.



A peaceful White Helmet

For example, on their website they make no mention at all of the man who founded them or their country of origin. They claim “*groups of civilians formed volunteer teams that responded to the aftermath of regime attacks.*” This is utterly disingenuous. In 2016 the White Helmets ‘officially’ received \$23M from the [U.S. government](#), \$29M from the [UK government](#) and \$4.5M from the Dutch government. This information is openly reported by the same MSM outlets who firmly state the White Helmets are ‘independent’ and insist upon maintaining the ‘NGO’ oxymoron.

In 2016, during a visit to the White Helmets training camp in Gaziantap, Turkey, British Foreign Secretary Boris Johnson announced additional funding from British tax payers to the White Helmets as part of a £2.3 billion ‘aid’ package to Syria. Of course, when he said Syria he meant the terrorist occupied territory inside Syria. [Johnson stated](#):

*“They are fantastically brave these White Helmets and I am proud to say we are giving them £32M of funding as part of a wider £65M package.”*

Johnson is not alone in his unwavering praise for the White Helmets. Speaking in March 2017 Abu Jaber, the leader of Tahrir al-Sham (al Qaeda in Syria), stated:

*“.....a message of thanks and gratitude to the hidden soldiers of our revolution.....On top of the list are the parents of the martyrs and the men of the White Helmets.”*

Before eulogising about how wonderful they were, perhaps Boris should have checked his Twitter feed. Had he done so, he may have seen some of the many [social media posts](#) from numerous White Helmets who praise and support listed terrorist organisations like Jabhat al Nusra (rebranded as Jabhat Fateh al-Sham,)

Jund al-Aqsa, Ahrar al-Sham, Jaish al-Islam, ISIS and other similar terrorist organisations.

White Helmet Mohammad Jnued likes to post his support for ISIS and praises what he calls ‘bomber martyrs;’ Mohammad Albakry feels the need to post pictures of mutilated Syrian soldier’s corpses tied to lamp posts and shares posts from Jabhat al Nusra among others; Muawiya Hassan Agha posted terrorist execution videos; Ibrahim Abu Mohammad declared his support for ISIS and shared ISIS images, as did Majd Khalaf, Abo Monzer Kousay, Mohamad Altouma, Zachariah abdukhaleq, Rami dendl and on, and on, and on.....

Many White Helmets like to post pictures of themselves standing on dead Syrian soldiers, waving terrorist flags or brandishing automatic weapons. They post videos of the executions they participate in, and heap praise upon the suicide bombing ‘martyrs of the revolution.’ Strange that a humanitarian organisation is unconcerned about the Syrian victims of those suicide attacks but rather venerates the murderers. Their command and control centres are usually situated in the same buildings as ISIS or Jabhat Fateh al-Sham ‘regional headquarters,’ complete with ISIS and al Qaeda flags on their walls.



## More 'unarmed' White Helmets.

A close friend of Raed Salah was the commander of the White Helmets in Idlib, [Mustafa al-Haj Yussef](#). He led their efforts in Khan Sheikhoun. Mr Yussef's facebook page stated that he was one of the first White Helmets, joining in 2013. Some of his other posts included calling for the shelling of civilians during the 2014 elections to stop them voting; he praised the teachings of Ibn Taymiyya, the ideological founder of ISIS, and he endorsed the killing of any civilians who didn't follow his version of Islam.

To give you an idea of how preposterous this all is, consider the following. The assistant director of the Netflix documentary called "The Last Men in Aleppo," which saw the terrorists nominated for another Oscar in 2017, having previously won one in 2016 for "The White Helmets," is a man called [Hasan Kattan](#). Mr Kattan, bemoaning the death of a terrorist, posted this on his facebook page:

*"His beautiful smiles that illuminated his face still existing in my tired memory. He wasn't like any other Mujahid (fighter). He loved fighting and dying under the Islamic flag and he already did. He was, among the others, the most fine and religious, had piety and a sense of humour. A lion from Al Nusra Front died today and went to Paradise. I pray that God will accept his soul."*

So that's 'a lion from al Qaeda in Syria' he's immortalising there..... An Oscar nomination?????!!!!!!

One of Netflix major shareholders is [Capital Research Global Investors](#) who list weapons manufacturer Lockheed Martin, Boeing and Dick Cheney's Halliburton among their holdings. Funny how these [corporate links](#) keep cropping up.



The White Helmets appear to have been tasked with providing anti Assad propaganda from inside the terrorist controlled territory in Syria. Very few Western journalists were able to safely enter these areas while they were under terrorist control, so the numerous reports from inside places like Homs and Aleppo were coming directly from ‘opposition activists.’ These were almost exclusively either terrorists, White Helmets or both.

When we were all watching the horrendous reports of Assad’s forces committing atrocities in Aleppo, the [media mouthpieces](#) almost universally neglected to tell us anything about ‘who’ was providing them the information. Most of us uncritically accepted what we were told about the ‘regime’s’ barbarity without ever questioning the credibility of the sources. We were deliberately dissuaded from doing so because [NGO’s and ‘charities’](#) were quoted. This lent credibility to the reports without disclosing where, or who, they came from.



Peace and Kalashnikovs.

For example, Khaled Khatib was a White Helmet ‘photo – video journalist’ who provided many of the images that came out of Aleppo. These were fed to Rami



Abdulrahman (the one man band who is the Syrian Observatory on Human Rights,) in his flat in Coventry, who then passed them to the MSM who simply repeated whatever they had been told by the White Helmets and the terrorist they worked with. Effectively promoting the agenda of Jabhat Fateh al-Sham and other Islamist extremists. Yet we called it 'news.' The evidence that many of the reports from the White Helmets extensively relied upon staged footage is overwhelming. 'Fake news' is precisely what the White Helmets were producing on many proven occasions. This was then broadcast directly into your home, reported in your paper and fed onto your phones and devices.

For example, on April 14th 2013, the [Aleppo Media Centre](#) posted an image showing a collapsed building in Aleppo. On August 20th 2015 the White Helmets' official account posted [exactly the same sixteen month old image](#), claiming it was the result a dozen barrel bombs that had just 'torn a whole apartment block apart.' The White Helmet website claims that they had 'risked sniper fire to rescue SAA bodies to give them a proper burial.' Yet in a White Helmet video one of them describes how they had been busy "throwing of Shabiha bodies in the trash" ('Shabiha' is a widely used derogatory term for SAA soldiers.) This same White Helmet then went on to pledge his allegiance to the local terrorist group. A practical necessity given where he was reporting from.

In another video, a masked terrorist executed a man and the White Helmets then immediately took his body away. Presumably to throw him in the trash. They were clearly saving the masked gunman the bother, and were effectively participating in the execution. I have provided a [link to the evidence here](#) but please be aware any of the video evidence I've shared in relation to the White Helmets is extremely disturbing, your discretion is advised. When asked why his creation, the White Helmets, were facilitating terrorist executions James Le Mesurier said:

*".....the gunman was clad in a balaclava, not a white helmet. Accusing the White*

*Helmets of this act would be akin to accusing Joseph of Arimathea of crucifying Jesus.”*

In another example, the White Helmets showed themselves searching for survivors in the rubble [using a huge mechanical digger](#). They then proceeded to break the rubble apart with sledge hammers. All without making any attempt at all to discover where any trapped people might be. To say this isn't standard procedure in a real search and rescue operation is to state the obvious. Clearly the White Helmets involved in the 'rescue attempt' knew absolutely nothing about how perform the task. Yet, as ever, they immediately discover the location of children's corpses . They often seemed to know exactly where the bodies and trapped survivors are without using any sniffer dogs, detection equipment or normal search procedures.

With the sheer volume of video's they've produced it was inevitable that a truly glaring example of their 'fakery' would emerge. In 2016 a complete video of them posing with a 'crisis actor,' [pretending to be a bomb victim](#), emerged. The White Helmets and their 'victim' are seen striking some action poses before bursting into life and rescuing the 'injured' man. The MSM were [forced to admit](#) the White Helmets had faked the video. They claimed they had been participating in the viral trend called the mannequin challenge. This was total nonsense. As clearly shown in the video, once the action starts the crisis actor pretends to be injured but, more notably, those gathered start shouting and screaming, lending the scene credibility.



I these poor children were exposed to Sarin this is a very silly thing to do.

CNN stated:

*“This video and the related posts were recorded by RFS media with Syria Civil Defence volunteers, who hoped to create a connection between the horror of Syria and the outside world using the viral ‘Mannequin challenge.’ This was an error of judgment, and we apologize on behalf of the volunteers involved.”*

What they didn’t mention was that, once the action started, the video was indistinguishable from every other video the White Helmets create. Typically, they depict ‘survivors’ covered in dust with blood coming from invisible wounds, precisely as shown in the ‘mannequin challenge’ video.

In the lead up to the attempt to secure the White Helmets the 2016 Nobel Peace Prize they claimed they had saved 60,000 Syrian lives (this was 82,000 a couple of months later and now is more than 114,000 apparently). They have offered no evidence at all to substantiate their claim. A few names of some rescued civilians (with no ties to Islamist extremist groups,) who could independently confirm just one instance of them saving anybody, would have been a start. However, this

didn't stop the MSM widely reporting their heroism. Many doubted these claims, as the vast majority of civilians who could, had already fled the remaining 'opposition' held territories for the protection of the Syrian government. Leaving mainly terrorists and White Helmets, in places like East Aleppo.

Thoroughly fed up with this absurd clap trap [Prof. John Ryan \(PhD\)](#) wrote an open letter to the Canadian NDP who had suggested Canada should nominate the White Helmets for the Nobel Peace Prize. Prof. Ryan simply asked the NDP, and by extension the White Helmets, to provide some independently verifiable evidence to back up their claims. He noted:

*“It is the White Helmets themselves who have claimed that they have rescued 60,000 civilians; this has not been verified by any other source. Despite such a classic conflict of interest, searching for independent evidence and disqualifying self-serving claims from belligerent parties in Syria has been ignored in much of the Western media. As such, this claim by the White Helmets without any verification is next to meaningless.”*

He continues to wait for a reply, or a scrap of evidence.

Given western government's fervent belief in '[soft-power](#),' the use of NGO's and charities to promote democratic principles in countries targeted for 'regime change,' it is clear that the White Helmets, far from being an neutral group of unarmed volunteers concerned with humanitarian rescue, are actually a U.S coalition funded propaganda organisation with strong links to Islamist extremist groups. They have played a central role in the dissemination of propaganda, from within Syria, which the Western MSM have simply regurgitated without critical thought or analysis. Sadly the vast majority of the public have fallen for this appalling bastardisation of reality.

## Chapter 4: White Helmets A Propaganda Construct

The White Helmets have offered the world a series of reports showing the horrific aftermath of the alleged chemical weapons attacks in Douma and [previously elsewhere](#). These have been used as ‘evidence’ by the U.S. led coalition, the MSM and the U.N to accuse the Syrian Government of ‘war crimes.’

In April 2015 the [White Helmets](#) reported that a chlorine gas attack had occurred in Sarmin in Idlib province. They [released a video](#), uploaded to YouTube, showing the unresponsive bodies of three child victims of the gas attack. They were seen to be rushed into a makeshift medical centre where White Helmets and doctors attempted to resuscitate them. It was extremely harrowing footage and its emotional impact upon its Western audience was entirely understandable. However, emotion has no place in objective inquiry and should certainly not form the basis for allegations of crimes against humanity.



Another White Helmet Video used as 'evidence' in Douma in 2018.

The footage immediately [raised suspicions among the medical community](#). In particular, the 'Swedish Doctors for Human Rights' (SWEDHR) were sufficiently concerned to take the brave step of standing up against the global attribution of guilt.

Dr Leif Elinder, a Swedish paediatric specialist, said:

*“After examination of the video material, I found that the measures inflicted upon those children, some of them lifeless, are bizarre, non-medical, non-lifesaving, and even counterproductive in terms of life-saving purposes of children.”*

One scene provided by the White Helmets showed a child receiving a supposed adrenaline injection to the heart. The SWEDHR board endorsed the comments of one of its members Dr Lena Oske who stated:

*“Intracutaneous injection with adrenalin may be used if any other resuscitation measure does not succeed. Especially under precarious circumstances – such as in field emergency settings– where safer ways for the administration of medication (i.e. endotracheal, intravenous, or intraosseus) might be difficult or unavailable. But not in the way shown in the video.....If not already dead, this injection could have killed him!”*



Founded 2015

However, it wasn't just medical evidence that raised doubts about the authenticity of the narrative we were given. Just prior to the 2017 Oscars, which appear to be an important part of the White Helmet's propaganda campaign, Human Rights Watch [released a report](#) which referenced the alleged 2015 Sarmin gas attack. The report stated that a couple of unnamed witnesses heard the helicopters that allegedly dropped the cannisters. Neither of the quoted witnesses heard explosions and no evidence was offered of anyone 'seeing' any helicopters. So there was no evidence that any helicopters dropped chlorine gas, regardless of whose helicopters they may have been.

One named, alleged witness was a White Helmet called Leith Fares. The HRW report states:

*"Leith Fares, a rescue worker with Syrian Civil Defence, told Human Rights Watch, 'A helicopter always drops two barrels. You know, we were at first actually happy,' Fares said. 'It is usually good news when there is no explosion.'*

This raised questions which should have been answered before making any

allegation. If witnesses heard helicopters why didn't they hear explosions? No matter what they contain, 'barrel bombs' burst with a loud detonation and chemical weapons have a distinctive 'pop'. This is an evidential anomaly that neither HRW nor the U.N bothered to account for. Furthermore, none of the White Helmet's footage was filmed in any identifiable location. There was no footage shot in the streets of Sarmin. All that was shown were the inside of an apparent field hospital which could have been anywhere. There was no contextual filming which evidenced the footage was even taken in Syria, let alone Idlib.

This does not 'prove' that the alleged gas attack didn't occur. However, the medical evidence did not suggest the victims filmed were treated with any genuine medical expertise; there was no evidence these poor children were victims of a gas attack; there was no evidence that any such attack had taken place in Sarmin and nothing was offered to corroborate the claim that Syrian military helicopters had dropped chlorine filled barrel bombs. Considerable further investigation would have been required in order to substantiate any such allegations. Yet all of this was completely ignored by the Western political establishment and its MSM propaganda machine. Their only apparent interest being to use the allegations as justification for continued attempts at 'regime change.'

The Western MSM have widely reported that Russia have blocked those investigations. For example, the Guardian reported [the Russians had used their veto](#) nine times to block investigations of alleged chemical weapons attacks in Syria. What it omits to tell you is why the Russian's used their veto.

In 2013 Russia brokered a deal between the U.N and the Syrian Government to destroy Syria's chemical weapons arsenal. The Organization for the Prohibition of Chemical Weapons (OPCW) started their advanced preparations in October 2013 in Syria. They secured the sites to be inspected in readiness for the arrival of the [U.N inspections team](#). On the day after the U.N chemical weapons inspectors



arrived in Syria an alleged Syrian Arab Army (SAA) chemical weapons attack took place in the East Ghouta suburbs of Damascus.



### Organisation for the Prohibition of Chemical Weapons

It is important to understand the context of this alleged attack. After repeated allegations by opposition activists of chemical weapons attacks, the Syrian government had agreed to the OPCW and U.N chemical weapons inspections. They had also agreed to destroy their stockpiles of these weapons. They were fighting an insurgency within their own borders and were militarily winning that conflict. Yet, while the U.N inspectors were in their capital, they supposedly chose that moment to launch a chemical weapons attack against the Eastern suburbs of the city where the U.N inspectors were based.

Even without looking at the evidence of the attack it obviously made no sense whatsoever for the Syrian Government to use chemical weapons against its own people, particularly while U.N inspectors were there. They had absolutely nothing to gain from it. It gave them no military advantage and could only possibly benefit their enemies. Anyone with an iota of common sense, while remaining open-minded, would logically have to place the Syrian government at the bottom of any suspect list.

Immediately following the alleged attack the internet was flooded with hundreds of ‘activists’ videos and images coming out of East Ghouta, allegedly showing the victims of the chemical weapons attack. The response from the Western MSM and U.S. coalition immediately pointed the finger at the Syrian government. Russia suggested it was, on balance, more likely that the insurgents had carried out the attacks. Russia was accused of being an Assad apologist for even suggesting such an absurd notion. The U.S, British and French stated, if it was proven the Syrian government were behind the attacks, it would warrant a [direct military response](#).

To be blunt, given what we have already discussed, it had ‘[false flag](#)’ written all over it. However, while that was a reasonable suspicion only the evidence can reveal the facts and only the facts can lead us towards the truth. The inspections took place, and it was ‘[confirmed](#)’ by the U.N inspection team that Sarin gas had been used. They found that surface-to-surface rockets delivered the gas to the targeted areas. They were specifically ordered not to attempt to apportion blame. However, by examining impact craters in Muadhmiya and Ein Tarma the report stated the rockets trajectories could be calculated with a ‘high degree of accuracy.’ The U.S. coalition then used this report to ‘prove’ the rockets came from Syrian military positions.

Groups like Human Rights Watch and the [Syrian Observatory on Human Rights](#) provided further ‘evidence’ that the Syrian government had used M-14 rockets fired from 333mm Falaq-2 missile launchers. The U.S., British and French claimed they had intelligence and [communication intercept](#) ‘evidence’ which also proved the Syrian Government were behind the attack. Russia asked to see that evidence but none was produced. Russia offered evidence that the Syrian opposition groups had chemical weapons capability, but this was rejected by the U.N.

The Western coalition pushed for air strikes against the Syrian government but

struggled to get either U.N or domestic approval. The media frenzy calling for war was rabid and included the BBC's fake news report '[Saving Syria's Children](#)' on the eve of the UK's vote to bomb Syria. However, Israel, who lead the world in [breaching U.N Security Council resolutions](#) and have a symbiotic relationship with the U.S, [attacked Syria](#) anyway.

It soon emerged that all the 'evidence' claimed was nothing but a paper thin veneer to cover a predetermined narrative designed to promote U.S. coalition air strikes. Fervently supported by the MSM.

## Chapter 5: The Douma Report



Al Nusra (al Qaeda) loading gas canisters they don't have into gas launchers they don't have then not firing them because they don't exist.

The [Guardian wrote](#) that scientist at Porton Down, Britain's chemical weapons research facility, "*will strengthen the consensus that the nerve agent Sarin was used in the deadly attack in eastern Damascus in August.*" They went on to describe the lengthy scientific tests that 'will' be used to 'strengthen the consensus.' Britain's Prime Minister David Cameron led the charge to bomb Syria. He said that Porton Down had confirmed Sarin was used in the attack on East Ghouta, and he was 'highly confident' Assad was behind it. So Russia's

foreign minister Sergei Lavrov suggested the 'evidence' should be presented to the U.N Security Council. UK Prime Minister David Cameron [didn't present any](#). Why not?

Porton Down reported the gas used [didn't match](#) the batches known to be held by the Assad government. Western Intelligence reports indicated that al Qaeda affiliated 'rebels' had [seized a cache of chemical weapons](#) in 2012 (prior to the OPCW inspections) when they captured Regiment 111, a large SAA base near the town of Darat Izza, in northern Syria. Scientists and engineers at the U.S. prestigious Massachusetts Institute of Technology (MIT) analysed the munitions used, as shown in the 'activists' videos and the U.N reports. They proved the rockets used had only a limited 2km range making it [impossible that they were fired](#) from Syrian Government territory.

Video analysis of the alleged attack that terrorists claimed killed more than 1400 people demonstrated that they had been [staged and manipulated](#). They included repeated use of the same children's bodies in different locations; the same children were shown both alive and deceased; there were eyewitness accounts of people smelling the gas despite the fact that Sarin is odourless; images of corpses taken from the Rabaa al Adawiya Square massacre in Egypt were shown as 'evidence' of the East Ghouta attack; a total of 8 corpses were seen to have been buried leaving an alleged 1458 corpses unaccounted for.

In most of the video the corpses shown were children, yet no women were seen. The only bodies shown to be buried were adult males but the burial site was not disclosed. East Ghouta had largely been abandoned by nearly all civilians apart from infirm, elderly people unable to travel. The men who remained were predominantly terrorists and 'opposition activists.' Less than a month before the alleged attack al Nusra had [kidnapped women and children](#) from Alawite villages in the Lattakiah mountains. No one knows what happened to the children.

There was absolutely no evidence to even suggest the Syrian Government had anything to do with the chemical attack on East Ghouta in August 2013. In 2015 [Two Turkish MP's](#) provided evidence that showed the Sarin was smuggled from Turkey to [ISIS](#), who then gave it to al Qaeda operatives in east Ghouta. The aim was to stage a false flag attack in order to compel the U.S. to use direct military force (instead of just their proxy terrorist army) to help the terrorists set up the 'Salafist principality' in Syria, as favoured by Ankara.

None of this stopped the U.S. led coalition of imperial powers insisting that the 'Assad regime' were responsible. They continued to do so even when all the actual evidence emerged which proved they weren't. The Western MSM simply ignored all of this evidence or claimed, in a few articles hidden away between the latest celebrity gossip and the sports pages, that all the evidence was part of a Russian plot or the deranged machinations of 'conspiracy theorists.'

History repeated itself in 2017 when Assad was once again accused of a chemical weapons attack in Khan Sheikhoun, in Idlib province, which killed 80 people. In response, the new U.S. President, Donald Trump, who had come into office promising to end foreign wars of intervention, authorised a missile strike on Al Shayrat airfield in an alleged attempt to damage Syrian air capability, to stop them launching chemical weapons attacks.

Coincidentally, al Shayrat airbase was the centre of Syrian operations against ISIS forces around Homs and Palmyra. Syrian forces had used it to gain a growing military advantage over ISIS. The missile strike greatly [reduced the number of air strikes against the terrorists](#). Therefore, irrespective of whether it was used to deliver a chemical weapons attack, the missile strike on al Shayrat was yet another example of the [U.S. effectively providing tactical air support for ISIS](#).



Bashar al Assad doesn't want to win and likes having his country destroyed.

Once more the claimed Khan Sheikhoun chemical attack made no sense from a Syrian military or diplomatic perspective. The Syrian government were making significant progress in both Hama and Idlib then, for no conceivable military reason, supposedly launched a chemical weapons attack in Idlib, in full knowledge it would risk U.S. led coalition military reprisals against their forces. Again, they had nothing to gain. In addition, talks were due to restart in Brussels to try to resolve the situation and 'automatic regime change' was not a prerequisite for the discussions (as it had consistently been on previous occasions). If the allegations were to be believed then Assad was obviously determined to snatch defeat from the jaws of victory.

However, the evidence that Bashar al Assad, who had fought to maintain his nation for 6 years, wanted to continue to destroy it was overwhelming, or so we were led to believe. This 'evidence' largely came in the form of a shed load of White Helmet videos that showed 'the reality' in Khan Sheikhoun. These were the White Helmets led by Islamist extremist Mustafa al-Haj Yusef who advocated killing any and all Syrians who committed the heinous crime of voting.



The U.S. media released what they laughingly called a '[Declassified U.S. Report on Chemical Weapons Attack](#).' This anonymous, four page pamphlet had supposedly collated all the intelligence assessment evidence which proved Sarin gas had been used by Syrian forces. Remarkably, despite the fact that U.S. [National Intelligence Assessments](#) involve coordination between seventeen separate agencies and take at least two to three weeks to complete, the White House (presumably – no one knows because nobody signed it) managed it in less than a week.

The pamphlet stated the U.S. government were 'confident' that Sarin had been used. They were not willing to say they 'knew' or were 'certain,' merely 'confident.' They reported their confidence was based upon, satellite images and communications intercepts which proved the plane that dropped the alleged chemical weapon, flew out from al Shayrat airbase, but then added:

*“we cannot publicly release all available intelligence on this attack due to the need to protect sources and methods.”*

Were they really suggesting they thought no one knew the U.S. military industrial complex had satellites or surveillance technology? Apparently so. However, the point remains that they didn't show anyone any of the 'evidence' they claimed to have. Again there was nothing which demonstrated a chemical weapon had been dropped by a Syrian government aircraft. They simply asserted it without offering any proof.

Another peculiarity, while they dedicated seven whole paragraphs to outlining their evidence, they dedicated eight to argumentative points. It is unusual for a document which purports to provide evidence to dedicate more than half of its content to irrelevant allegations. This rant against Russia was entirely superfluous to the issue in hand. What did a U.S. spat with Russia have to do



with the evidence of a chemical weapons attack? Russia had suggested a number of alternative possibilities, such as use of chemical weapons by terrorists or chemicals released as a result of an air strike upon a terrorist chemical weapons storage facility. In reply the report alleged:

*“The Syrian regime and its primary backer, Russia, have sought to confuse the world community about who is responsible for using chemical weapons against the Syrian people in this and earlier attacks.”*

Why did the Trump administration need to even mention ‘alternative’ theories? Surely the purpose of their document was to provide evidence which proved how the attack occurred and who was responsible? They either had a case or they didn’t. What did argumentative points have to do with it?

The truth was, without an investigation on the ground, nobody, other than the guilty, knew what happened with any certainty. The Suggestion that a chemical factory may have been hit came from [Veteran Intelligence Professionals for Sanity](#) (VIPS,) an organisation of retired U.S. intelligence officers. It is entirely reasonable to consider all possibilities if no one knows, with any certainty, what happened. Both Syria and Russia admitted they had launched conventional bombing raids against terrorist targets that day. They even admitted that they may well have [hit a chemical weapons storage facility](#). All possibilities should have been explored. Yet the U.S. document effectively alleged this was evidence of a Russian cover up. Which it wasn’t.

Apart from secret evidence, the report was also based upon ‘analysis’ of YouTube videos and social media posts put up by the White Helmets and other ‘activists.’ The report stated:

*“We are certain that the opposition could not have fabricated all of the videos and other reporting of chemical attacks. Doing so would have required a highly organised campaign to deceive multiple media outlets and human rights organisations....”*

If you are struggling to come to terms with the implausible reality that the U.S. government were alleging war crimes, and threatening military action, based upon YouTube, Twitter and Facebook posts, you’re not alone. They presented not a single piece of evidence that the Syrian military were in any way responsible, and they never have. Yet they concluded:

*“The Assad regime’s brutal use of chemical weapons is unacceptable and poses a clear threat to the national security interests of the United States.....the Syrian regime’s use of chemical weapons will not be allowed to continue.”*

Even a cursory examination of the ‘evidence’ revealed this was precisely the miserable crap it appeared to be. Prof. Theodor Postol from MIT, possibly having reviewed the ‘declassified report’ for nearly two minutes, stated:

*“The report contains absolutely no evidence that this attack was the result of a munition being dropped from an aircraft. I believe it can be shown, without doubt, that the document does not provide any evidence whatsoever that the US government has concrete knowledge that the government of Syria was the source of the chemical attack in Khan Sheikhoun.”*



Professor Postel: Unlike the White Helmets he can't think straight.

So MIT again reviewed the 'evidence' presented by the U.S. government. Professor Postol (Emeritus of Science, Technology and National Security Policy) issued a [14-page report](#) which meticulously and diligently destroyed the woeful dross offered up by the Trump administration. In particular Prof Postol questioned the authenticity of images showing alleged investigators at the scene, examining the [Sarin cannister and crater damage](#).

Firstly the images showed people wearing paper masks, open necked shirts and rubber gloves handling the alleged Sarin cannister in the release crater. In which case, if it was Sarin, they would have all died. This suggested that they either didn't have a clue what they were doing or they were confident there was no Sarin.

The wind direction on the day meant the victims would have been in a different location, 300 meters away from the one shown. Furthermore, the deformation of the Sarin cannister showed it had been crushed by an external force, as opposed

to detonation from within in an explosion. This crushing suggested a charge, packed around the end of the cannister of alleged Sarin liquid, which would have been jettisoned like toothpaste, squeezed from a tube, following ground impact. Therefore, the cannister shown was entirely inconsistent with an airborne bomb, which explodes, splitting open the container. Rather, the crushed cannister was evidence of a ground based weapon such as a short range, improvised rocket.

Analysis of the White Helmets videos, reportedly showing the victims of the alleged Sarin gas attack, appeared to be another unconvincing medical nonsense. The U.S. Center for Disease Control and Prevention (CDC) states the following [about Sarin](#):

*“Sarin is a human-made chemical warfare agent classified as a nerve agent. Nerve agents are the most toxic and rapidly acting of the known chemical warfare agents.....Following release of Sarin into the air, people can be exposed through skin contact or eye contact. They also can be exposed by breathing air that contains Sarin.....A person’s clothing can release Sarin after it has come in contact with Sarin vapor, which can lead to exposure of other people.....Because Sarin vapor is heavier than air, it will sink to low-lying areas and create a greater exposure hazard there.....Exposure to large doses of Sarin by any route may result in the following harmful health effects: loss of consciousness, convulsions, paralysis, respiratory failure possibly leading to death”*

Sarin (in its vapour state) is a colourless, odourless gas that lingers at ground level (denser than air), its particulates stick to exposed surfaces, such as human skin, and touching or inhaling it is usually fatal. This means that any emergency response in the immediate aftermath of a suspected Sarin attack must be undertaken by properly trained personnel, wearing the correct personal protective equipment (NBC suits.) Not doing so would simply result in adding first responders to the casualty list.



If these poor people were poisoned with Sarin this is a very silly thing to do.

Therefore, the released footage showing White Helmets handling victims in the street, where they allegedly fell, without wearing gloves or protective clothing were ludicrous. Other videos of the rescue scene showed people standing around in the background in shorts and T-shirts. Then there were the eyewitnesses who reported the nasty smelling gas cloud, so not Sarin. Far from ‘proving’ a Sarin attack they appeared to [categorically rule out the possibility](#). Yet it is this footage which the White House cited as its ‘evidence.’

In response to the allegations coming from the terrorists and the White Helmets the U.N ordered the OPCW to begin a fact finding mission. They stated, from the outset, their mission was to determine whether chemical weapons had been used, not to ascribe blame. However, rather than carry out their fact finding in Syria they planned a ‘rapid deployment’ to somewhere else. [The OPCW stated](#):

*“For security reasons, the FFM was unable to visit Khan Shaykhun. The rapid deployment to a neighbouring country, however, enabled the team to attend autopsies, collect bio-medical samples from casualties and fatalities, interview witnesses and receive environmental samples.”*

Therefore, from the outset, the OPCW were reliant upon terrorist groups and U.S. coalition funded White Helmets, like Islamist extremist Mustafa al-Haj Yusef, for their ‘evidence.’ They had no way of knowing where the samples or bodies came from. They just believed whatever the terrorists told them.

In response Bashar al Assad formerly invited the OPCW investigators to Syria. Furthermore, both Russia and Iran proposed the U.N should send investigators to Syria to carry out investigations where the incident allegedly took place, rather than somewhere it didn’t; they suggested the investigation should also look at how the weapons were deployed and who used them; they also requested that investigators visit the al Shayrat airbase to assess if the U.S. led coalition’s claims were true.

However, these requests, which were not intended to stop the proposed U.N investigation but rather expand it, were [blocked by the U.S. coalition](#) countries. Russian foreign minister Sergei Lavrov said:

*“Yesterday [April 20], our proposal that experts from the Organization for the Prohibition of Chemical Weapons [OPCW] visit the sites of the suspected chemical attack in Syria was blocked by Western delegations without any explanations.”*

Regardless of what the Western MSM have told you about Russian vetoes, it appears the U.S. coalition only wanted the OPCW to base their investigation on ‘evidence’ supplied to them by Assad’s sworn enemies. Any suggestion that the OPCW should independently investigate the coalition’s claims were ignored and attempts to broaden the OPCW remit were stymied by the West.



Excellent and trustworthy sources of ‘evidence.’

Consequently, you could drive a truck through the holes in the evidence in the [OPCW report](#). Firstly they claimed they couldn’t visit the attack site because it was unsafe in ‘rebel’ territory. Why? Weren’t these the ‘opposition forces’ fighting for freedom and democracy? Weren’t they the face of the revolution supported by the U.S. led coalition, touted as freedom fighters by the entire Western MSM? What were the U.N delegation so frightened of? Could it be because the so called freedom fighters were actually ISIS, Jabhat al Nusra, Nour al-Din al-Zenki and a range of other Islamist extremists?

The report stated:

*“The high security risk of a site visit to Khan Shaykhun, which is currently in a situation of armed conflict and under the control of a listed terrorist organization (Nusrah Front), outweighed the benefits to the investigation.”*

This all seemed very weird because these were the same people who had given them all the evidence with which to accuse Assad in the first place. These [terrorists supported by the U.S.](#) coalition were too dangerous for their own investigators to go anywhere near, yet entirely trustworthy when it came to



claiming chemical weapons attacks. It also suggested that the White Helmets were equally under the control of al Qaeda. Consequently, the investigation had no proof of the evidential chain of custody (where the evidence came from.) Of course, by not going to the scene, it also ensured that any evidence which challenged the predetermined narrative wouldn't be uncovered either.



Crater entirely inconsistent with a Sarin attack. Cameramen and motorcyclists are immune to Sarin (as are idiots apparently.)

The OPCW went to great lengths to prove there was a crater. This was a waste of time and paper. No one disputed the existence of the crater, the question was how did it get there. The only person who made any meaningful analysis of the crater (based upon the images supplied by al Qaeda) was Dr Postol from MIT, and he demonstrated that it was almost certainly not the result of an airborne attack. The OPCW made no reference to his extensive research.

However, it was the OPCW conclusions about the Sarin used that was perhaps most confusing. The report stated:



*“.....the Fact Finding Mission had concluded that a large number of people, some of whom had died, had been exposed to Sarin or a Sarin-like substance”*

To make such a conclusion, as the OPCW never investigated the alleged site of the attack, it must have been based upon sample analysis either taken from the corpses or provided by the terrorists. Surely they can't have reached such a definitive conclusion simply by watching a few terrorist propaganda videos? So which was it? Sarin or something like Sarin? Syria is a modern technological society perfectly capable of producing Sarin, not something like Sarin, but 100%, military grade Sarin. However, a bunch of terrorist working in a makeshift lab might struggle to get it bang on. Unfortunately the OPCW just confused the issue further. They insinuated, though it only remained 'likely,' that the Sarin had come from Syrian stockpiles:

*“The Sarin identified in the samples taken from Khan Shaykhun was found to have most likely been made with a precursor (DF) from the original stockpile of the Syrian Arab Republic”*

However, in 2014, following OPCW inspections of Syrian chemical weapons facilities, they declared they had [destroyed all stockpiles](#), equipment and facilities related to chemical weapons production in Syria. Something which the OPCW alluded to in their report:

*“During the removal of the stockpile belonging to the Syrian Arab Republic in 2014, OPCW collected samples from the Sarin precursor methylphosphonyl difluoride (DF) before the rest of the stockpile was destroyed.”*

Again confusion reigned. Did they destroy the stockpiles or not? If they did then where did this stuff come from? Could it have come from the Sarin they couldn't

destroy because it was in the not so friendly 'rebel' held territory? Could it have been the Sarin captured by al Nusra from Regiment 111 at Darat Izza? They just didn't say. Not that it mattered much because they didn't even clarify if it was Syrian, military grade Sarin or the 'Sarin like substance' they had identified.



Carla del Ponte: The wrong kind of U.N commissioner.

The U.N knew there was some [evidence the rebels had used chemical weapons](#), but ruled out this possibility in respect to Khan Sheikhoun. This was despite the fact that an MIT scientist had offered specific evidence that suggested that to be a strong possibility. In 2013 Carla Del Ponte, from the UN Independent Commission of Inquiry on Syria said:

*“Our investigators have been in neighbouring countries interviewing victims, doctors and field hospitals and, according to their report of last week which I have seen, there are strong, concrete suspicions but not yet incontrovertible proof, of the use of Sarin gas. This was used on the part of the opposition, the rebels, not by the government authorities.”*

Only four years later, the OPCW had completely forgotten that it was entirely feasible the terrorists had used chemical weapons at Khan Sheikhoun. They simply ignored their own evidence that strongly suggested this possibility. However, their refusal to consider anything that questioned their preferred narrative soon revealed itself as a preposterous absurdity.

In a startling coincidence, just as before the 2013 East Ghouta Sarin release, reports emerged that Hay'at Tahrir Al-Sham and Jaysh Al-'Izza had [kidnapped people](#) from Khattab in northern Hama shortly before the alleged Khan Sheikhoun attack. These reports remain unconfirmed. However, in Annex II of the OPCW report, in a statement that thoroughly rebuts their own conclusion, the U.N investigators reported:

*“.....several hospitals appeared to have begun admitting casualties of the attack between 0640 and 0645 hours.....Analysis of the records revealed that in 57 cases, patients had been admitted to five hospitals before the incident (at 0600, 0620 and 0640 hours). In 10 of those cases, patients appear to have been admitted to a hospital 125 km away from Khan Shaykhun at 0700 hours, while another 42 patients appear to have been admitted to a hospital 30 km away at 0700 hours.”*

Posing the glaringly obvious question, if these poor people didn't come from Khan Sheikhoun, where were they from? Additionally, If they weren't gassed in Khan Sheikhoun, where were they gassed, who gassed them and why were certain groups claiming they were murdered in Khan Skeikhoun if evidently they weren't?

The OPCW described this scything evidential inconsistency as an 'irregularity' and decided this was probably due to bad record keeping. Rather than considering written hospital records to be reliable evidence they instead decided that White Helmet videos from within terrorist controlled territory was a more

plausible source. It was beyond ridiculous that the OPCW then admit they didn't even investigate these discrepancies.

Instead, the OPCW produced a report based exclusively on 'evidence' given to them by terrorists. They had no proof at all where that evidence had come from. They failed to clearly identify the substance used, couldn't logically establish who had used it and ignored any and all evidence which didn't fit with their clearly predetermined conclusion. Oblivious to all these evidential inconsistencies they still asserted Assad's guilt.

The OPCW's evidence free conclusion that the Syrian Arab Army and Bashar al Assad were responsible for the 2017 Khan Sheikhoun chemical attack was based upon nothing at all. It was fake news designed to support regime change at the behest of the U.S. military industrial intelligence complex. The West's attribution of guilt lacked corroborating evidence and was not the result of rigorous, objective inquiry. The 'evidence' undermined their conclusion. There is no reason at all to think Assad ordered the alleged chemical attack.

Russia, Iran, Syria, China and all the other countries, who have objected to Anglo-U.S. prescribed investigations, have no reason to trust any U.N inquiries where the remit is set by the Western imperialist powers. The U.S. led coalition blocked the initiative to expand the investigation to verify their own claims about Syrian culpability but accused Russia of obstruction when they refused to go along with their carefully limited, nonsensical findings. It appears all the West wanted was the U.N to rubber stamp their air strike.



White Helmets: Unbiased 'humanitarian' organisation.

A year later the West, once again, alleged a chemical weapons attack. This time in Douma. It's the same story replayed in exactly the same way by the same people. The 'evidence' came from the British funded terrorist, propaganda organisation the White Helmets, and the British government were the cheerleaders for a 'military response.' It is impossible to understand why the Syrian government would authorise the attack. Again, it provided them with no identifiable advantage. Notably U.S. President Donald Trump had recently indicated his intention to [withdraw U.S. Forces](#) from the region. Which obviously explains why Assad would choose that moment to use chemical weapons. Presumably because he was desperate to encourage the U.S. bombardment of his country to continue.

Douma was the last occupied town in Syria (other than the northern Kurdish held territory.) The area was being cleared, and the survivors of the Jaish al Islam terrorist occupation were finally being freed. On the verge of total victory, the Western MSM want you to believe that this was the moment Bashar al Assad decided to gas his own people. I don't know if he did or not but there isn't any evidence to support the allegation. On balance, it seems extremely unlikely.

The only evidence offered thus far to substantiate these highly dubious claims are internet videos which, once again, do not show the filming location. There are claims from unnamed medical sources who say they treated people for Chlorine gas inhalation and uncorroborated reports of more than 500 deaths. The evidence that a chemical gas attack occurred as described is weak and there is none at all to indicate Syrian government responsibility.

Once more, we were shown appalling images of child suffering. It was soul-destroying and highly emotive. However, Western politicians are currently threatening a potential war with Russia based upon videos supplied to them by terrorists. This could lead to the deaths of millions of children. [The BBC reported:](#)

*“Cabinet ministers have agreed ‘on the need to take action’ in Syria to ‘deter the further use of chemical weapons’, Downing Street has said.*

*Ministers at a cabinet meeting said it was ‘highly likely’ the Assad regime was responsible for a suspected chemical attack. They agreed that the use of chemical weapons must not ‘go unchallenged.’.....President Trump spoke to the prime minister on Thursday evening, and the pair agreed that Syrian President Bashar al-Assad had ‘established a pattern of dangerous behaviour in relation to the use of chemical weapons.’”*

A statement from Downing Street added: *“They agreed to keep working closely together on the international response.”*

An international (military) response to what? Terrorist videos!? The British and U.S. government claims were based upon nothing other than speculation. Yet the BBC uncritically reported whatever the government told them. They offered a pronouncement by the Prime Minister:

*“Mrs May has said ‘all the indications’ are that the Syrian regime of president Bashar al-Assad, which denies mounting a chemical attack, was responsible for the alleged attack in the formerly rebel-held town of Douma.”*



The completely objective Jaish al Islam (Army of Islam).

‘All the indications’ were given to Prime Minister Theresa May by Jaish al Islam ([who throw gay people off buildings.](#)) Similarly, Bashar al Assad’s denials mean nothing. The only thing that matters are the facts, and those claimed by Islamist extremists should be vigorously questioned. Next the BBC blithely passed on this little tit-bit.

*“Sources say the PM is prepared to take action against the Assad regime without first seeking parliamentary consent.”*

Under the British constitution the Prime Minister is empowered to exercise ‘Royal prerogative’ which means Theresa May does have the power to start a war if she likes. This is the ‘democracy’ we live in. However, that does not mean her decision would be legal under international law. With the U.S. ‘Truman carrier strike group’ [heading towards the Mediterranean, and the Middle East](#), at the time there was genuine reason for alarm. Sadly most people are either misinformed or

indifferent. This MSM's role is to keep it that way.

Following the alleged attack in Douma the Russian and Syrian authorities gave firsthand witness accounts to the OPCW in the Hague from Hospital staff and children videoed by the White Helmets who stated that there was no chemical weapons attack. This included the testimony of 11 year old [Hassan Diab](#), highlighted in the White Helmets video and used as evidence to justify the U.S led coalition missile strike. Hassan stated that he had no idea why a bunch of White Helmets suddenly grabbed him and started filming themselves pouring water all over him. Hospital doctors confirmed there were no gas attack victims brought to them for treatment.



Unlike the testimony of Terrorists those of Doctors and children are an 'obscene masquerade.'



In response the Western MSM reported allegations that these witness statements were an '[obscene masquerade](#)' and strongly insinuated the witnesses had been coerced into giving false eyewitness accounts. If they had presented any evidence to back up this claim this would have been excellent journalism. Witness testimony, especially their motivations for providing it, should be questioned. This is the proper function of a free and critical media. Unfortunately the Western MSM offered no evidence. The claim that these witnesses were lying was unsubstantiated. As were the claims that the alleged chlorine gas attack in Douma occurred. All we have are allegations made by terrorist groups like Jaish al Islam, backed up by inconclusive video evidence offered by the Western funded White Helmets, and counter claims by Douma Dr's and eyewitnesses, which were at least backed up by medical records and other firsthand testimony.

Ostensibly there is no more reason to believe the denials of the Douma eyewitnesses than there is to believe the allegations which the British, French and U.S government used to launch missile strikes. If the denials can be described as an '[obscene masquerade](#)' so to can the the allegations. The only thing that matters is the evidence. Based upon previous false allegations of chemical weapons attacks, for which the evidence is quite clear, we may have good reason to find one position more plausible than the other but, without a proper investigation of the evidence, in regard to the alleged Douma attack, this remains no more than a suspicion.

Again Russia, China, Syria and Iran and others attempted to broaden the OPCW investigation. In fact it was [Russia, not any U.S](#) led coalition member state, who requested the OPCW investigate the Douma site. Of course you wouldn't know this if you simply rely upon the Western MSM for your 'news.' The Syrian government gave full, unfettered access to the alleged site of the attack in Douma with Russia guaranteeing the inspectors safety. The advanced OPCW team were in Syria waiting for the inspectors to arrive when the U.S, UK and France, without a U.N Security Council sanction, in contravention of international law, unilaterally decided to attack Syria anyway. By doing so they destroyed the sites,

which the OPCW had declared to be clear only months prior, where the chlorine gas was supposedly manufactured [before the OPCW had any opportunity to investigate the evidence.](#)

Why would they do that?

## Chapter 6: The Douma Reported

On March 1<sup>st</sup> 2019 the United Nations' Organisation for the Prohibition of Chemical Weapons (OPCW) [released their report](#) into the alleged chemical weapons attack in Douma, in the Syrian Arab Republic (SAR.) Despite having the mandate to apportion blame, the OPCW did not. Which is understandable given the evidence uncovered by their investigation. You can read [a full précis](#) of the report at the end of this article. I suggest those interested check the précis against the full report to verify my interpretation of the various OPCW statements.



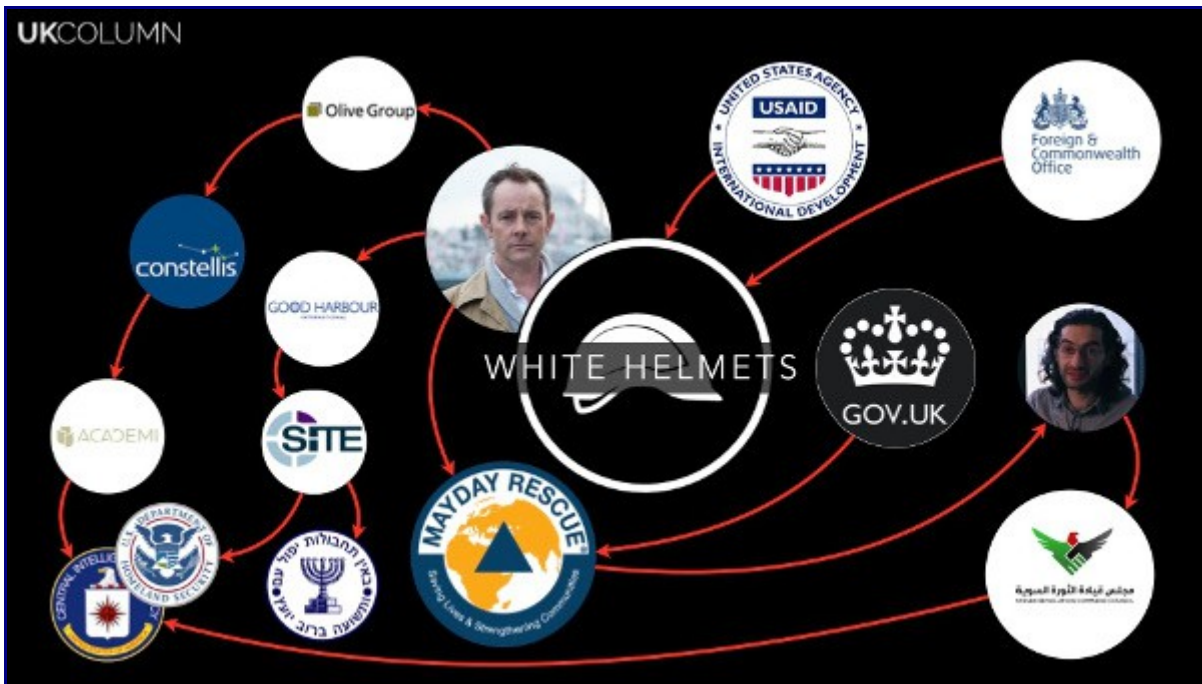
Following the alleged attack, the Western mainstream media (MSM) was full of reports about the supposed atrocity. The Guardian wrote '[Assad's Crime: The World's Responsibility](#).' The Times ran with the headline the '[Evidence Shows Syria Attacked Own People With Chemical Weapon](#).' The New York Times wrote '[One Building, One Bomb: How Assad Gassed His Own People](#).'

In fact the BBC, CNN, Fox, Ch4, ITV, all the print and online MSM, were all of one, single, cohesive voice. They all categorically blamed the ‘Assad regime’ (the democratically elected government of the Syria) for murdering his own people. Almost without exception, they called for military reprisals. More war was the only answer on offer.

This wave of uniform, uncritical, on message, yet supposedly ‘independent’ media, dovetailed perfectly with the political rhetoric. Stoking up the public appetite for more killing. This culminated in the [military partnership](#) of the UK and France, goading their big brother the U.S into coordinated joint airstrikes against Syria. Speaking about her decision to launch military action, the UK Prime Minister Theresa May made a [speech to Parliament](#) on the 14th April which included the following statements:

*“This evening I have authorised British armed forces to conduct co-ordinated and targeted strikes to degrade the Syrian Regime’s chemical weapons capability and deter their use.....In Douma, last Saturday a chemical weapons attack killed up to 75 people, including young children, in circumstances of pure horror.....A significant body of information including intelligence indicates the Syrian Regime is responsible for this latest attack.....This persistent pattern of behaviour must be stopped.....This action is specifically about deterring the Syrian Regime.....We would have preferred an alternative path. But on this occasion there is none.”*

The OPCW were dispatched to find the evidence. Unfortunately, the OPCW were heavily reliant upon information received from the highly dubious [White Helmets](#), who they inaccurately referred to as the Syrian Civil Defence (SCD.) They also relied on footage that can only have come from the terrorist groups, possibly working with the White Helmets.



The White Helmets are predominantly funded by the British and American government. This immediately introduced a significantly increased risk of bias in the OPCW report. Consequently the OPCW report is littered with contradictory evidence. It is difficult to see how they arrived at their conclusions based upon the evidence contained within their own report. In particular they appear to have studiously ignored some obvious questions and have instead created a very tentative narrative, largely unsupported by their own evidence.

The alleged attack occurred on the April 7<sup>th</sup> 2018. The OPCW Fact Finding Mission (FFM) arrived in Syria and eventually began their investigation on April 21<sup>st</sup>, two weeks after the alleged attack. When the FFM first tried to enter Sector 3 they were met with resistance and had to withdraw. Following some negotiation, the SAR agreed to provide security for the FFM at their Hotel and the Russian Military Police made the area safe, and provided security for the FFM during their investigation.

There are some key locations you need to be familiar with in order to understand

the report.

### **Named Locations.**

There are were 6 locations which the OPCW focused upon. These were:

**Location 1:** Hospital where the alleged victims were treated often referred to as “Point 1” in the report.

**Location 2:** A roof terrace where a yellow cylinder was found.

**Location 4:** A bedroom in a building near the Great Mosque where a yellow cylinder was found on a bed.

**Sector 3:** This is the area allegedly attacked and contains Location 2 and 4. It is also where the White Helmets centre, referred to in the report, is situated.

In addition there was a warehouse and a manufacturing facility, referred to as “the facility,” which the SAR suggested as possible locations for chemical weapons’ storage and manufacture.

### **OPCW Findings Summary:**

**9.1** The FFM concluded that samples taken at Loc.2 and 4 indicate the presence of reactive chlorine.

**9.2** The FFM concluded no nerve agents were detected.

**9.3** The FFM concluded there was no evidence of any other chemical agent detected.

**9.4** The FFM concluded there was no evidence to support the SAR allegation that the warehouse or the facility were used either for chemical weapons storage or production. Rather they were apparently used to store and produce conventional explosives.

**9.6** The FFM concluded, due to the lack of biomedical evidence, it was not possible to say what chemical killed the victims seen in the 'open source' videos and photographs.

**9.9** The FFM concluded the damage seen at Loc.2 was consistent with the impact of the yellow canister upon the roof terrace.

**9.10** The FFM concluded the damage seen at Loc.4 was consistent with the yellow cylinder found on the bed which, having fallen through the roof, continued an altered trajectory.

**9.11** The FFM concluded it was possible the yellow cylinders were the source of the reactive chlorine.

**9.12** The FFM concluded it was reasonable to state a chemical weapons attack took place. The toxic chemical contained reactive chlorine. The toxic chemical was likely molecular chlorine.

## **Location 2. The roof Terrace.**

The FFM noted that the cylinder had been moved a number of times before their arrival. They noted a very similar crater on an adjacent building which had not been subject to an alleged chemical weapons attack. They did not explain the release mechanism for the alleged chlorine.

## **Location 4. The Bedroom.**

The FFM noted the cylinder had been cleaned and a number of other items moved prior to their investigation. The FFM did not account for how the cylinder had moved from the point of impact to the bed. Nor did they note any damage to the floor where the cylinder allegedly initially landed in the room. No such damage is visible. They did not explain the release mechanism for the alleged chlorine.

## **The Warehouse**

The FFM did not find any evidence of chemical weapon manufacture. The FFM found a yellow cylinder similar though not identical to the two found at Loc.2 and 4. The FFM did not test the contents of the cylinder. The FFM stated the presence of a cylinder, which reportedly contained chlorine gas, was not consistent with the production of explosives.

## **The Facility**

The FFM found no evidence that the facility had been used as a chemical weapons manufacturing facility and no evidence linking the facility to the potential storage of such weapons at the warehouse. Two swabs were taken from

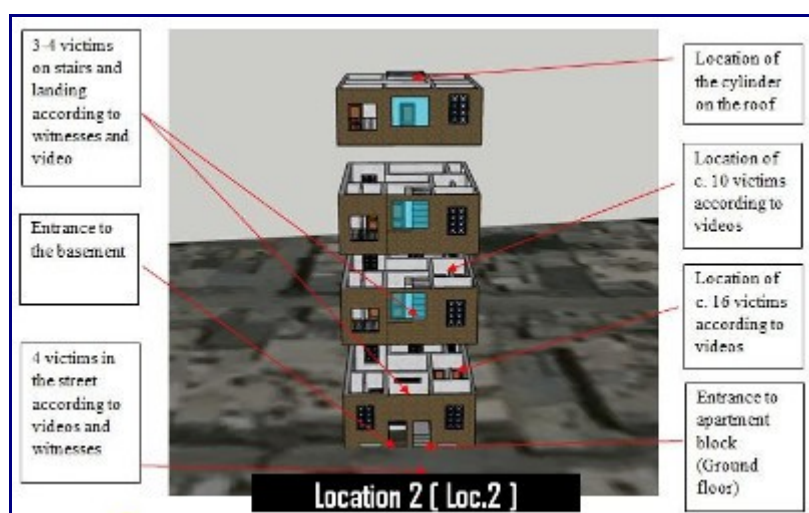


large steel mixing tanks. One swab was tested and did not indicate the mixing of chemical agents or reactive chlorine. The FFM noted the lack of ventilation and the absence of protective measures against chemical exposure. The FFM concluded the facility was not used for manufacturing chemical weapons.

So let's look at each of the FFM's findings in turn and compare that to the evidence in the report. We will consider potential questions which arise as a result.

The first thing to note is that the OPCW reported it was the Assad government and the Russian Federation who first requested that the FFM be sent to investigate the alleged attack (3.3). The SAR also requested the FFM investigate the warehouse and the facility. No firm conclusion can be drawn from this, though we might wonder why the supposed guilty party would want to encourage an investigation.

**9.1** *The FFM concluded that samples taken at Loc.2 and 4 indicate the presence of reactive (molecular) chlorine.*



A total of 8 of 16 environmental samples taken at Loc.2, and 7 of 11 taken at Loc.4, tested positive for chemicals consistent with the presence of reactive chlorine (8.5.) this is consistently reported throughout the OPCW report (see below). It seems clear that chlorine contamination occurred at some point.

**9.2** *The FFM concluded no nerve agents were detected.*

Another consistency was the lack of any evidence suggesting any other form of toxic nerve agent was used. However, this does not mean the victims died as a result of exposure to reactive (molecular) chlorine. There are a number of reasons why we might question this (covered below.) Death by some other form of nerve agent was not ruled out because neither the time nor place of death was established.

**9.3** *The FFM concluded there was no evidence of any other chemical agent detected.*

(As above.) While the OPCW only found evidence of the presence of reactive chlorine, this does not mean this is how the victims allegedly died.

**9.4** *The FFM concluded there was no evidence to support the SAR's allegation that the warehouse or the facility were used either for chemical weapons storage or production. Rather, they were apparently used to store and produce conventional explosives.*



Untested cylinder found at the warehouse.

The OPCW appeared to show a remarkable lack of inquisitiveness in their investigation of the warehouse and the facility. Their findings were based upon an observation of the apparent lack of ventilation and their record of the stored chemicals at the site (8.40.) In addition, a bag of Hexamine (explosive) was found at the warehouse which was tested (8.5.)

However, remarkably, the OPCW recorded the testing of just one sample from the facility and none at all from the warehouse (8.5.) This facility sample was a swab taken from the outlet of a metal mixing tank and it did not evidence the manufacture of chlorine gas. Of course others may, but they didn't take any.

However, they did find a yellow cylinder similar (but not identical) to those found at Loc.2 and 4. The OPCW did not test the contents of this cylinder but conceded that the presence of a chlorine filled cylinder at the site was not consistent with the manufacturing of explosives. So it is regrettable they didn't examine it.

The OPCW evidence suggests the warehouse and the facility were used to

manufacture explosives but certainly does not rule out their use for chemical weapons. The unexplained reluctance to test the cylinder and bizarre lack of sampling means the possibility remains.

The question must be asked. Why were the FFM seemingly so incurious? Why not investigate thoroughly and take far more samples?

**9.6** *The FFM concluded, due to the lack of biomedical evidence, it is not possible to say what chemical killed the victims seen in the videos and photographs.*

The evidence surrounding the victims overwhelmingly came from the [White Helmets](#) and other unnamed witnesses who weren't medically trained. The Video evidence raised more questions than it resolved, as did the tweets, blogs and Facebook posts which the OPCW also took as their 'open source' evidence (5.1.) Moreover, the claims of the White Helmets were entirely inconsistent with the medical evidence and the testimony of medical professionals.

Firstly the White Helmets claimed the attack took place at 16:00 hrs approximately (8.55.) However this was contradicted by testimony of other witnesses who stated that they heard the cylinder impacts at 19:00 (8.58.)

Medical staff reported they were alerted to the attack a little after 19:00 with casualties arriving shortly thereafter (8.56.) This lends credibility to an attack time of 19:00 approximately and casts doubt upon White Helmet claims of an earlier time for the attack and their associated narrative (8.55.) Similarly, they claimed that people died of chemical weapons exposure in the tunnels leading to the Hospital. They provided many YouTube videos to that effect. The FFM could find no evidence at all to back up any of these claims (8.38.)

This is troubling, because it appears all the bodies were transported to the hospital by the White Helmets (8.57.) The bodies of 3 alleged victims arriving on the evening of the 7<sup>th</sup> and another 40 on the 8<sup>th</sup>.

It should also be noted that no medical professional treated any of the casualties at the Hospital for the effects of a chlorine gas attack (8.55.) Rather, they were all treated for the effects of dust and smoke inhalation. The casualties did not apparently present with life threatening conditions. None of the deceased died in hospital (8.48, 8.52, 8.54, 8.78, 8.83, 8.93 etc.)



Traumatized for propaganda in the hospital.

Medical professionals didn't know a chemical attack had occurred (they had no reason to suspect one) until an unnamed person shouted "chemical, chemical." At which point people started being stripped and hosed down by the White Helmets (8.50.)

It is notable that the chaos in the hospital was compounded by the fact that many medical staff had left for the relative safety of SAR controlled areas. Leaving a skeleton staff compliment and an awful lot of White Helmets (8.46.) Not only did the White Helmets bring all the bodies to the hospital, they also took them to the makeshift morgue and buried them. Many said they didn't know where (8.47.)

Clearly the OPCW report highlights a shocking disparity between the presentation of the casualties, who did not appear to be suffering from the effects of chlorine gas inhalation, and the deceased, who all allegedly died from it. The FFM was provided with 11 biological samples from casualties, none of which tested positive for reactive chlorine (7.3.) The only positive test came from a piece of clothing for which there was no clear chain of custody.

All the evidence relating to the deaths of the alleged 43 victims was controlled by the Western government backed White Helmets. All original footage, showing the deceased, and images were taken by 'photo journalists' and bloggers who could operate freely in territory controlled, at the time, by the terrorist groups. The White Helmets also had no problems working with the terrorists.

That the FFM and the OPCW made no comment on the credibility of this evidence is unbelievable. In order to establish how the deceased died, the FFM requested that the bodies be exhumed for analysis. It seems the SAR agreed to this with some unknown provisions. It is unfathomable, therefore, to understand why the FFM did not proceed with the exhumations (7.8.) Why, if they could do so, didn't they even try to get some meaningful biomedical samples?

Witness statements were inconclusive with some claiming hundreds of bodies and others none at all (8.53.) Consequently the FFM had no idea how any of the victims supposedly perished or how many and were solely reliant on YouTube videos shot by terrorist and the White Helmets.

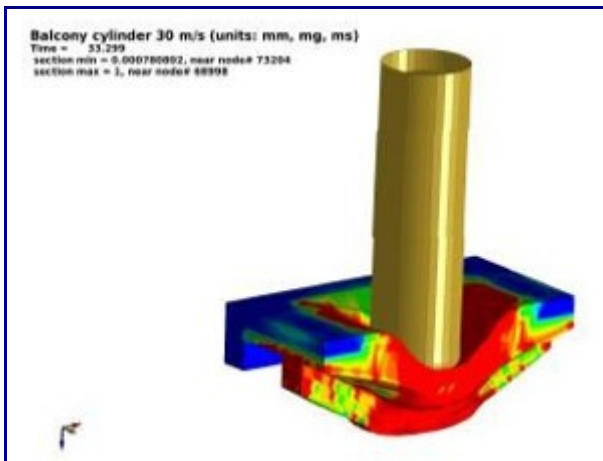
From the video evidence the FFM said the arching of the bodies appeared to show a sudden, convulsive death, consistent with the rapid onset of chemical poisoning (8.99.)

Without any credible evidence to establish the precise causes of death, for the 43 alleged victims, all the FFM could do was make an unsubstantiated suggestions about where and how the decedents lost their lives. Something they acknowledged in this conclusions (9.6.)

The Video evidence offered by the terrorist and the White Helmets simply added to the confusion. The FFM didn't know how, or even if, the alleged victims died at either Loc.2 or 4. They reported that bodies had been moved, the adults showed signs of foaming at the mouth, while children didn't; the discoloration around the eyes, seen on many, was atypical of death by chlorine inhalation, as was the filmed foaming of the mouth; a number had wet hair, though the ground was dry (suggesting they were moved from somewhere else,) and they had no physical evidence of any corpses. (8.90, 8.93, 8.98, 8.100, 8.101, 8.102.)

The questions that arise from all this are so numerous I'll leave you to form yours. Personally, I would like to know why intergovernmental organisation, like the U.N, governments and international bodies of inquiry think social media posts, home videos, bloggers rants, terrorists and the groups that work with them are a trustworthy source of information? How can this ever provide a plausible basis for military action against a sovereign state?

**9.9** *The FFM concluded the damage seen at Loc.2 was consistent with the impact of the yellow canister upon the roof terrace.*



Red zone of complete disintegration

Firstly, at no point, did the FFM clarify how the gas was released from either cylinder. Presumably we are supposed to guess. The FFM stated that the yellow cylinder at Loc.2 landed on the eastern corner of the terrace and punched a hole through the roof. However the cylinder did not fall through the hole but rather fell over. Spilling its allegedly lethal payload through the hole into the building below maybe?

Loc.2 is where the majority of the victims allegedly died, though there is significant reason for doubt (2.14, 8.26, 8.31.) The FFM employed a team of 'experts' to generate computer models of how the craters and the impact damage was caused by the cylinders (for both Loc.2 & 4.)

Perhaps the use of the computer models was necessary because the physical evidence didn't support any of the OPCW's claims. Firstly, while they assumed the hole in the terrace was caused by the cylinder, a practically identical hole was seen on the adjacent terrace that was not caused by a falling cylinder to anyone's knowledge. Furthermore the cylinder appeared to have been moved 'several times.' Raising doubt about how it got there.



The OPCW reported that the cylinder fell nose first, directly down upon the roof, puncturing a hole by smashing the roofing out of the way. However, they then claimed, rather than fall through the hole or wedge in it, the cylinder somehow bounced (presumably) back out of the hole to rest, on its side, next to it.



Hole much bigger than the cylinder

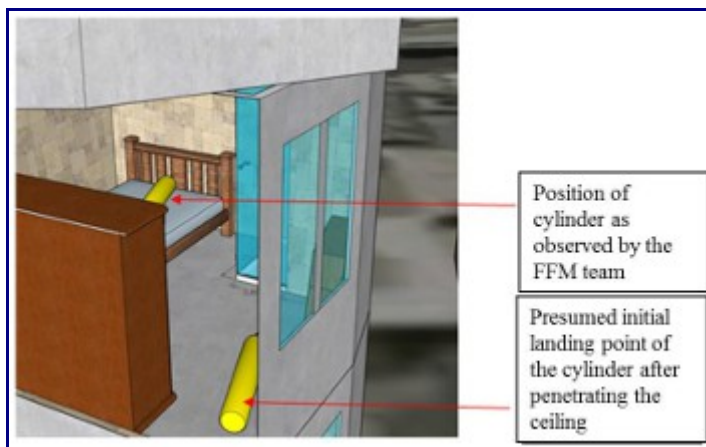
The hole was larger than the circumference of the cylinder, so what did it bounce off? The simulation showed the ‘zone of complete disintegration’ where the cylinder completely destroyed the roof beneath it. It can’t have both removed all the debris in its path and bounced back off it. The trajectory suggested by the models did not show the cylinder following the path of least resistance. A first for ballistics I would imagine.

The FFM stated they believed the prior impact upon the corner of the roof terrace wall reduced the velocity of the cylinder, claiming this meant it didn’t have sufficient energy (force) to fall through the subsequent hole. Yet clearly it had enough to create it. The FFM claimed the collision with the terrace wall changed

the trajectory of the cylinder. Suggesting, but not showing, the cylinder striking at an angle. However, the shape of the hole appeared to preclude that idea. The FFM noted the 45 degree slope to the hole perimeter, suggesting the cylinder hit the roof terrace perpendicularly, rather than a glancing blow. This is shown clearly in the models they produced. However, the FFM were at pains to point out that the ‘models’ don’t show the strike angle, which brings their relevance into question.

The FFM produced a nonsensical “mish-mash” of contradictory evidence. Both the hole and their ‘expert’ models suggest a nose first, perpendicular impact. In such circumstances, given the greater circumference of the hole, the cylinder should have gone through or wedged in the hole. Gravity is still gravity no matter how fast an object is moving. Yet the cylinder was found in an unexpected position. The FFM were right when they observed the cylinder had been moved. Any notion the FFM can determine the delivery method of the cylinder, from this evidence, would be untenable.

**9.10** *The FFM concluded the damage seen at Loc.4 was consistent with the yellow cylinder found on the bed which, having fallen through the roof, continued an altered trajectory.*



## Continued an altered trajectory??

If the FFM's damage analysis at Loc.2 was confusing their explanation for the final location of the yellow cylinder at Loc.4 bordered upon comical. Firstly they showed the cylinder had stabilisation fins, suggesting it should have dropped nose first. However, perhaps because the hole created was entirely inconsistent with this, they concluded it must have landed on its side without offering any explanation to account for this failure of the fins. The fins are clearly visible as it rests on the bed.

Next, the cylinder landed on the floor of the bedroom, without any evidence of impact and, according to the FFM, "continued an altered trajectory," landing on the bed. Again, the FFM offered no evidence or explanation to account for how the cylinder performed this sharp about turn. They then appeared to list a number of extremely minor, secondary concerns about some ornaments that had moved and broken shower cubicles.

This appeared to be an ham-fisted attempt at misdirection. By focusing upon trivialities, the FFM avoided any discussion of the fact that the cylinders' resting place could not be explained. Quite obviously the cylinder could not have possibly fallen through the hole in the roof and ended up on the bed. Someone put it there.

**9.11** *The FFM concluded it is possible the yellow cylinders were the source of the reactive chlorine.*



Loc.4 cylinder with fins.

Both cylinders were found to have traces of reactive (molecular) chlorine in and on them. So this is a reasonable finding. It was entirely possible, though by no means proven. However seeing as the FFM did not show how the cylinders ended up where they were, they had no idea where the gas was released from them either. Nor did they bother to mention how the gas was released. Given the samples taken from the sites, it seems feasible at least they were the source of the released gas at loc.2 & 4. But it's just conjecture.

**9.12** *The FFM concluded it was reasonable to state a chemical weapons attack took place. The toxic chemical contained reactive chlorine. The toxic chemical was likely molecular chlorine.*

Based upon the samples taken this seems a fair statement. There certainly appears to have been a release of chlorine gas in and around Loc.2 and 4.



White Helmets faking casualty footage for the ‘mannequin challenge.’

However, what certainly cannot be said, based upon the FFM report, is that 43 people died in or near Loc.2 and 4 from chlorine gas inhalation. There was no evidence at all to support that assertion. So claiming it was an ‘attack’ is a bit of a stretch. Mass murder by persons unknown at an undisclosed location would be more accurate.

The FFM have not provided a shred of evidence clarifying who committed the alleged attack. However the evidence within the report strongly suggests that the most likely culprits would have been either Jaish al Islam, the white Helmets or both. The evidence shows the majority of casualties treated by doctors and medical professionals were not victims of any sort of chemical attack. All medical witness testimony was consistent on this point.

Another consistency was that the only people who had any contact with the decedents were the White Helmets and, quite possibly, members of terrorist organisations. The OPCW don’t have any evidence attesting to how these people died and none showing where they died. They have no biomedical samples and don’t even know where they were buried. They reported evidence indicating that the bodies were moved and showed post mortem injuries inconsistent with death

from exposure to chlorine gas. All witness statements recording sightings of bodies came from people who remained in an area deserted by pretty much everyone apart from terrorist and their families.

### Final thoughts.



A tweet can say a lot.

Recently, a BBC producer called Riam Delati stated that he had been investigating and can prove that the footage shown in the hospital was staged. He added that ‘activists’ were manipulating the scene at Loc.2. Reverting to BBC type, he then claimed this had something to do with the Russians. Regardless, the FFM OPCW report was entirely supportive of this notion.

The carefully constructed, heart rending footage and images splashed across the entire MSM were almost certainly faked. This does not mean no one died. Sadly, the White Helmets have already proven they are capable of using corpses for their own propaganda purposes.

The Western MSM narrative of Assad's Douma chemical weapon attack, long questioned by many castigated as conspiracy theorists, has collapsed. It is moribund.

It is clear that neither the UK, French nor the U.S. government had any 'intelligence' at all to justify their airstrike. In doing so, they were responding to nothing but their own manufactured narrative. A single, cohesive MSM wide campaign ensued. It represented nothing other than a deliberate attempt to lead Western voters into supporting another illegal military action. All to advance the geopolitical agenda of criminals and embezzlers.

Like WMD and so many other lies before it, the question we all need to ask ourselves is how long are we going to continue to believe these warmongering absurdities. How much evidence do you need to understand that we do not have a free press and are governed by liars?

## **Précis of Report**

2.1 Douma 'attack' on 7 April 2018.

2.3 Fact Finding Mission (FFM) conducts first tests April 21. Two weeks after attack.

2.7 No organic nerve agents found.

2.10 Witness testimony and Video and photographic evidence indicates 43 decedents in and around the apartment block. FFM had no access to any bodies as they had been buried.

2.11 Witness and video evidence indicates exposure to an inhalation irritant or toxic substance. However this cannot be confirmed without physical toxicology of decedents.

2.12 Two yellow cylinders found at two separate locations marked Loc.2 & 4.

2.13 the FFM consulted engineering and ballistic experts and used specialised computer modelling techniques to calculate trajectories of the cylinders.

2.14 The location of the cylinder at Loc.2 is consistent with the creation of the aperture observed on the terrace, next to the cylinder found in that location.

2.15 The cylinder at Loc.4, after passing through the ceiling and impacting the floor at lowers speed, continued an altered trajectory, until reaching the position



in which it was found (on the bed.)

2.16 It is possible that the cylinders were the source of the substances containing reactive chlorine, based upon samples taken.

2.17 The toxic chemical contained reactive chlorine. The toxic chemical was likely molecular chlorine.

3.3 Following allegations the Permanent Representation of the Syrian Arab Republic to the OPCW requested the FFM team be dispatched urgently to visit the town of Douma to verify the information surrounding the alleged use of toxic chemicals on 7 April 2018. This request was supported by the Permanent Representative of the Russian Federation.

4.2 Syrian Arab Republic request the FFM visit a warehouse suspected of storing chemicals related to the production of chemical weapons.

5.1 Immediately following the 'attack,' the FFM conduct a review of open-source information to assess the credibility of the allegation. The major sources comprised news media, blogs and the websites of various non-governmental organisations. Predominantly YouTube videos, tweets and articles.

6.3 The SAR provided security at the hotel where the FFM stayed and the Russian Military police provided security for the FFM at the various sites.

6.4 Initial attempt to visit the site on the 18th was repelled by a "hostile crowd." The hostile crowd were well armed with small arms.

6.9 The SAR did not provide the FFM access to some locked private apartments as they said they did not have the authority. The FFM visited Loc.2 and twice visited Loc.4.

7.3 The FFM were given additional environmental and biological samples and followed a chain of custody protocol. 11 biomedical samples were tested with none showing any evidence of the alleged chemicals. One piece of clothing, allegedly from a victim, showed the presence of Dichloroacetic acid, trichloroacetic acid, dichlorophenol, trichlorophenol.

7.8 The FFM requested exhumation to take biomedical samples from the decedents. The SAR agreed but stipulated some conditions. The FFM decided not to proceed.

8.2 The weather was overcast and wind speed was low on the day of the attacks.

8.5 129 samples in total (both environmental and biological) were collected. Of these, 31 were selected for the first round of analysis (though 33 are recorded) and 13 were tested further. Traces of chemical contaminants including Bornyl chloride, Dichloroacetic acid, trichloroacetic acid, chlorophenol, dichlorophenol, trinitrotoluene were found in 8 out of 16 environmental samples taken at Loc.2 and 7 of 11 taken at Loc.4. A bag of hexamine (explosives) was found at the warehouse site. One sample was recorded from a water outlet pipe at the alleged chemical weapons facility suggested by the SAR. No other samples were recorded at this site. 3 of 4 samples received from witnesses proved not to have been contaminated. 1 sample (the piece of clothing) was found to be contaminated.

8.17 The FFM conclude that at Loc.2 and 4 there were reasonable grounds to indicate that molecular chlorine was present.

8.19 No chemical evidence linked the Location 1 (hospital) to the cylinder sites prior to the alleged attack.

8.20 In additions to the samples, a large number of photographs and video evidence was taken by the FFM during their inspection.

8.24 Loc.2 was a 4 story apartment block. The block and its basement were investigated by the FFM.

8.26 The intact yellow cylinder was found on the roof terrace of Loc. 2 on the east side with its nozzle poised over a circular opening in the concrete roof.

8.31 FFM analyses indicated that the structural damage to the rebar-reinforced concrete terrace at Loc.2 was caused by an impacting object with a geometrically symmetric shape and sufficient kinetic energy to cause the observed damage. All the damage seen in the building was, according to the FFM, consistent with the creation of the aperture observed on the terrace by the cylinder found in that location.

8.32 The FFM visited Loc.4 on the 25th. They noted that the cylinder was alleged to have penetrated the roof, and the room below, where it supposedly reached its final position (on the bed.)

8.33 The FFM team stated that the cylinder was not ruptured (rather malformed by the impact.) There was no chemical evidence of chlorine gas found to be present in the bedroom with the exception of a piece of wood found beneath the cylinder which showed the highest level of contamination of all wood samples taken during the FFM investigation.

8.34 The FFM consulted experts and created computer models. They stated there was a presumed initial landing point following which the cylinder continued an altered trajectory, onto the bed, landing on a piece of wood, on the bed.

8.35 The FFM stated the malformation of the canister was consistent with the aperture damage to the roof and building through which the cylinder allegedly traversed.

8.37 The FFM visited the Hospital (Loc.1) where they learned the victims' bodies were taken to a morgue "Point 200" and that the Syrian Civil Defence (the White Helmets) has assisted with this task.

8.38 No chemical evidence was found to corroborate the video evidence offered by the White Helmets that people died of chemical weapons exposure in the tunnels leading to the Hospital.

8.39 No chemical evidence was found at the alleged warehouse nor other facility which the SAR suggested as potential chemical weapons production/storage sites.

8.40 Evidence indicated these locations were involved in the production of conventional explosives.

8.41 A total of 39 witnesses were interviewed: 11 medical staff and 28 witnesses including 11 alleged casualties.

8.46 Due to the fact that many medical staff had left the hospital for the relative safety of SAR controlled territory, the FFM stated many volunteers were assisting

the hospital staff.

8.47 The White Helmets were in charge of burying the deceased. A number of witnesses reported they were unaware of the location of the burial sites.

8.48 A number of medical staff, who were present, stated there were many fatalities caused by suffocation from dust and rubble as a consequence of the heavy shelling.

8.50 The FFM reported that, while victims were being treated, an unknown person shouted “chemical, chemical” and people started being stripped and washed down.

8.51 Medical staff treated casualties but, due to staffing pressures, the numbers were not recorded. All were discharged by 13.00 on the 8th.

8.52 Some medical staff stated that they did not know of the alleged chemical attack until a couple of days after the attack.

8.53 Conflicting witness statements from non-medical witnesses reported either a large number of bodies in the hospital or none at all.

8.54 Some medical staff stated that the casualties were not showing symptoms of exposure to chemical weapons while stating they were not experienced in treating chemical weapon related injuries. No one reported the smell of chlorine. The reported smell was of smoke.

8.55 The FFM stated the White Helmets reported that up to 18 victims were treated for the effects of chemical weapons at their centre amidst 'witness' claims of a chemical weapon attack at 16:00. No casualties showing symptoms of a chemical weapons attack were treated at the Hospital. All of the alleged chemical weapons victims were treated by the White Helmets at their centre in Sector 3.

8.56 Shortly after 19.00 (3hrs after the attack) victims showing possible signs of exposure to chemical weapons started arriving at the hospital (Loc.1.)

8.57 Three bodies were brought to the Hospital by the White Helmets on the evening of the 7th. The remaining 40 bodies were reportedly brought to the hospital the following day by the White Helmets. Witnesses stated these bodies showed signs of exposure to chemical weapons, with blue skin and foaming of the mouth.

8.58 The FFM state that witnesses hiding in shelters reported the sound of barrels falling (rather than conventional explosives) at 19.00 approximately (three hours after the alleged attack claimed by the White Helmets.) The witnesses stated they distinctly smelt chlorine.

8.62 Witnesses stated that those who remained in shelters or sheltered in or near the building died. The survivors were those who evacuated.

8.63 The White Helmets were advised my medical staff at the hospital not to bring any more bodies on the night of the attack.

8.69 The first witnesses reportedly arrived at Loc.4 at around 22.30. They reported finding the yellow cylinder on the bed. They reported a strong smell of chlorine and the effects of gas inhalation.

8.73 The FFM could not establish casualty figures. Some reported up to 500 others none.

8.74 The number of dead is reported to be 43 by witnesses.

8.78 Medical staff reported most casualties they saw as having mild symptoms. Some more severe casualties were reportedly in a deranged state.

8.79 Medical staff reported shortness of breath, skin and eye irritation, foaming of the mouth. A unspecified minority were reported to have presented with seizure like effects.

8.80 No medical staff reported constricted pupils. One said 4 severe patients had dilated pupils.

8.83 Symptoms were treated but no diagnostic tests were performed.

8.90 The FFM analysed the video of Loc.2 and stated that metadata showed they were filmed between 13 and 16 hours after the alleged attacks. All appeared dead. Many were seen to be foaming at the mouth. However the FFM reported there was no correlation between the foaming mouths of the adults and the absence of those symptoms seen on the child victims. The FFM stated that victims appeared to have been moved to one room and rigor mortis is seen in at least one victim. The victims appear to have wet hair in an otherwise dry environment.

8.93 The FFM report the washing of children seen in videos and state none appeared to be ill.

8.95 The FFM report that video of the 20 patients (approx) treated in what appears to be a temporary facility. They note the respiratory distress of the children and milder distress of the adults and state no critically ill patients are seen, apart from one child.

8.96 The FFM report that the video of victims inside the building indicate the rapid onset of paralysis and death. This supports exposure to a lethal substance.

8.98 The foaming of the mouth seen on many victims is said to have been of a consistency more like viscous foam than secretions typically originating from the upper or lower airways. There also appear to be victims with and without secretions in very close proximity to each other. They state the general evidence is consistent with exposure to a chemical attack.

8.99 the arching of the bodies indicates exposure to a highly toxic, lethal substance.

8.100 The specific nature of the chemical cannot be identified from video and photographic evidence.

8.101 the discolouration seen around the victims eyes is not associated with any known chemical weapon.

8.102 The FFM state the wet hair seen on the victims is possibly related to heavy sweating immediately prior to death.